



Satellite 215Q/216Q

Dispensers Parts List

Computer Programs and Documentation

All Gasboy computer programs (including software on diskettes and within memory chips) and documentation are copyrighted by, and shall remain the property of, Gasboy. Such computer programs and documents may also contain trade secret information. The duplication, disclosure, modification, or unauthorized use of computer programs or documentation is strictly prohibited, unless otherwise licensed by Gasboy.

Federal Communications Commission (FCC) Warning

This equipment has been tested and found to comply with the limits for a Class A digital device pursuant to Part 15 of the FCC Rules. These limits are designed to provide reasonable protection against harmful interference when the equipment is operated in a commercial environment. This equipment generates, uses, and can radiate radio frequency energy, and if not installed and used in accordance with the instruction manual, may cause harmful interference to radio communications. Operation of this equipment in a residential area is likely to cause harmful interference in which case the user will be required to correct the interference at his own expense. Changes or modifications not expressly approved by the manufacturer could void the user's authority to operate this equipment.

Approvals

Gasboy, Greensboro, is an ISO 9001:2000 registered facility.

Underwriters Laboratories (UL):

UL File#	Products listed with UL
MH4314	All dispensers and self-contained pumping units
MH6418	Power operated Transfer Pump Models 25, 25C, 26, 27, 28, 72, 72S, 72SP, 72X, 73 and 1820
MH7404	Hand operated Transfer Pump Models 1230 Series, 1243 Series, 1520 and 1720 Series
MH10581	Key control unit, Model GKE-B Series Card reader terminals, Models 1000, 1000P Site controller, Model 2000S CFN Series Data entry terminals, Model TPK-900 Series Fuel Point Reader System

New York City Fire Department (NYFD):

NYFD C of A #	Product
4823	9100A, 9140A, 9152A, 9153A, 9800A, 9840A, 9850A, 9852A, 9853A, 9140
4997	9822A, 9823A
5046	9100Q, 9140Q, 9152Q, 9153Q, 9800Q, 9840Q, 9852Q, 9853Q

California Air Resources Board (CARB):

Executive Order #	Product
G-70-52-AM	Balance Vapor Recovery
G-70-150-AE	VaporVac

National Conference of Weights and Measures (NCWM) - Certificate of Compliance (CoC):

Gasboy pumps and dispensers are evaluated by NCWM under the National Type Evaluation Program (NTEP). NCWM has issued the following CoC:

CoC#	Product	Model #	CoC#	Product	Model #	CoC#	Product	Model #
95-179A2	Dispenser	9100 Retail Series, 8700 Series, 9700 Series	91-019A2	Dispenser	9100 Commercial Series			
95-136A5	Dispenser	9800 Series	91-057A3	Controller	1000 Series FMS, 2000S-CFN Series			

Patents

Gasboy products are manufactured or sold under one or more of the following US patents:

Dispensers

5,257,720

Point of Sale/Back Office Equipment

D335,673

Additional US and foreign patents pending.

Trademarks

Non-registered trademarks

Atlas™
Console™
Infinity™

Registered trademarks

ASTRA®
Fuel Point®
Gasboy®
Keytrol®
Slimline®

Additional US and foreign trademarks pending.

Other brand or product names shown may be trademarks or registered trademarks of their respective holders.

Table of Contents

1 – Important Safety Information	1-1
2 – Introduction	2-1
Purpose	2-1
Intended Users	2-1
Related Reading	2-1
Warranty	2-1
Abbreviations and Acronyms	2-2
3 – Parts List	3-1
Using this Parts List	3-1
215Q/216Q Front and Side Views - Side Load (Illustration)	3-2
215Q/216Q Front and Side Views - Side Load	3-3
215Q/216Q Front and Side Views - Front Load Option (Illustration)	3-4
215Q/216Q Front and Side Views - Front Load Option	3-5
215Q/216Q Twin Front and Side Views - Front Load (Illustration)	3-6
215QTW/216QTW Twin Front and Side Views - Front Load	3-7
215Q/216Q Chassis Assembly (Illustration)	3-8
215Q/216Q Chassis Assembly	3-9
215Q/216Q Chassis Assembly - Front Load Option	3-10
215Q/216Q Chassis Assembly - Front Load Option	3-10
215QTW/216QTW Twin Chassis Assembly - Front Load Option (Illustration)	3-12
215QTW/216QTW Twin Chassis Assembly - Front Load Option	3-12
Switch and Conduit Assembly (Illustration)	3-14
Switch Housing and Wire Assembly, 064461 (Illustration)	3-15

This page is intentionally left blank.

1 – Important Safety Information

This section introduces the hazards and safety precautions associated with installing, inspecting, maintaining or servicing this product. Before performing any task on this product, read this safety information and the applicable sections in this manual, where additional hazards and safety precautions for your task will be found. Fire, explosion, electrical shock or pressure release could occur and cause death or serious injury, if these safe service procedures are not followed.

Preliminary Precautions

You are working in a potentially dangerous environment of flammable fuels, vapors, and high voltage or pressures. Only trained or authorized individuals knowledgeable in the related procedures should install, inspect, maintain or service this equipment.


Emergency Total Electrical Shut-off

The first and most important information you must know is how to stop all fuel flow to the pump/dispenser and island. Locate the switch or circuit breakers that shut off all power to all fueling equipment, dispensing devices, and Submerged Turbine Pumps (STPs).

⚠ WARNING

The EMERGENCY STOP, ALL STOP, and PUMP STOP buttons at the cashier's station WILL NOT shut off electrical power to the pump/dispenser. This means that even if you activate these stops, fuel may continue to flow uncontrolled.

You must use the TOTAL ELECTRICAL SHUT-OFF in the case of an emergency and not the console's ALL STOP and PUMP STOP or similar keys.



Total Electrical Shut-off Before Access

Any procedure that requires access to electrical components or the electronics of the dispenser requires total electrical shut off of that unit. Understand the function and location of this switch or circuit breaker before inspecting, installing, maintaining, or servicing Gasboy equipment.

Evacuating, Barricading, and Shutting Off

Any procedure that requires access to the pump/dispenser or STPs requires the following actions:



- An evacuation of all unauthorized persons and vehicles from the work area
- Use of safety tape, cones or barricades at the affected unit(s)
- A total electrical shut-off of the affected unit(s)

Read the Manual

Read, understand and follow this manual and any other labels or related materials supplied with this equipment. If you do not understand a procedure, call a Gasboy Authorized Service Contractor or call the Gasboy Service Center at 1-800-444-5529. It is imperative to your safety and the safety of others to understand the procedures before beginning work.

Follow the Regulations

Applicable information is available in National Fire Protection Association (NFPA) 30A; *Code for Motor Fuel Dispensing Facilities and Repair Garages*, NFPA 70; *National Electrical Code (NEC)*, Occupational Safety and Hazard Association (OSHA) regulations and federal, state, and local codes. All these regulations must be followed. Failure to install, inspect, maintain or service this equipment in accordance with these codes, regulations and standards may lead to legal citations with penalties or affect the safe use and operation of the equipment.

Replacement Parts

Use only genuine Gasboy replacement parts and retrofit kits on your pump/dispenser. Using parts other than genuine Gasboy replacement parts could create a safety hazard and violate local regulations.

Safety Symbols and Warning Words

This section provides important information about warning symbols and boxes.

Alert Symbol



This safety alert symbol is used in this manual and on warning labels to alert you to a precaution which must be followed to prevent potential personal safety hazards. Obey safety directives that follow this symbol to avoid possible injury or death.

Signal Words

These signal words used in this manual and on warning labels tell you the seriousness of particular safety hazards. The precautions below must be followed to prevent death, injury or damage to the equipment:



DANGER: Alerts you to a hazard or unsafe practice which will result in death or serious injury.



WARNING: Alerts you to a hazard or unsafe practice that could result in death or serious injury.



CAUTION with Alert symbol: Designates a hazard or unsafe practice which may result in minor injury.

CAUTION without Alert symbol: Designates a hazard or unsafe practice which may result in property or equipment damage.

Working with Fuels and Electrical Energy

Prevent Explosions and Fires

Fuels and their vapors will explode or burn, if ignited. Spilled or leaking fuels cause vapors. Even filling customer tanks will

Important Safety Information

cause potentially dangerous vapors in the vicinity of the dispenser or island.

No Open Fire



Open flames from matches, lighters, welding torches or other sources can ignite fuels and their vapors.

No Sparks - No Smoking



Sparks from starting vehicles, starting or using power tools, burning cigarettes, cigars or pipes can also ignite fuels and their vapors. Static electricity, including an electrostatic charge on your body, can cause a spark sufficient to ignite fuel vapors. Every time you get out of a vehicle, touch the metal of your vehicle, to discharge any electrostatic charge before you approach the dispenser island.

Working Alone

It is highly recommended that someone who is capable of rendering first aid be present during servicing. Familiarize yourself with Cardiopulmonary Resuscitation (CPR) methods, if you work with or around high voltages. This information is available from the American Red Cross. Always advise the station personnel about where you will be working, and caution them not to activate power while you are working on the equipment. Use the OSHA Lockout/ Tagout procedures. If you are not familiar with this requirement, refer to this information in the service manual and OSHA documentation.

Working With Electricity Safely

Ensure that you use safe and established practices in working with electrical devices. Poorly wired devices may cause a fire, explosion or electrical shock. Ensure that grounding connections are properly made. Take care that sealing devices and compounds are in place. Ensure that you do not pinch wires when replacing covers. Follow OSHA Lockout/Tagout requirements. Station employees and service contractors need to understand and comply with this program completely to ensure safety while the equipment is down.

Hazardous Materials

Some materials present inside electronic enclosures may present a health hazard if not handled correctly. Ensure that you clean hands after handling equipment. Do not place any equipment in the mouth.

WARNING

The pump/dispenser contains a chemical known to the State of California to cause cancer.

WARNING

The pump/dispenser contains a chemical known to the State of California to cause birth defects or other reproductive harm.

In an Emergency

Inform Emergency Personnel

Compile the following information and inform emergency personnel:

- Location of accident (for example, address, front/back of building, and so on)
- Nature of accident (for example, possible heart attack, run over by car, burns, and so on)
- Age of victim (for example, baby, teenager, middle-age, elderly)
- Whether or not victim has received first aid (for example, stopped bleeding by pressure, and so on)
- Whether or not a victim has vomited (for example, if swallowed or inhaled something, and so on)

WARNING



Gasoline ingested may cause unconsciousness and burns to internal organs.
Do not induce vomiting.
Keep airway open.
Oxygen may be needed at scene.
Seek medical advice immediately.

WARNING



Gasoline inhaled may cause unconsciousness and burns to lips, mouth and lungs.
Keep airway open.
Seek medical advice immediately.

WARNING



Gasoline spilled in eyes may cause burns to eye tissue.
Irrigate eyes with water for approximately 15 minutes.
Seek medical advice immediately.

WARNING






Gasoline spilled on skin may cause burns.
Wash area thoroughly with clear water.
Seek medical advice immediately.

IMPORTANT: Oxygen may be needed at scene if gasoline has been ingested or inhaled. Seek medical advice immediately.

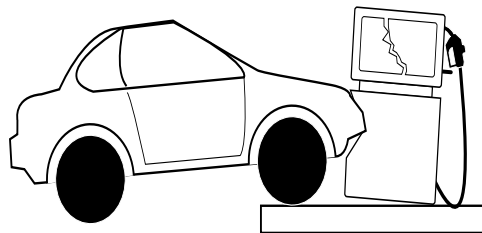
Lockout/Tagout

Lockout/Tagout covers servicing and maintenance of machines and equipment in which the unexpected energization or start-up of the machine(s) or equipment or release of stored energy could cause injury to employees or personnel. Lockout/Tagout applies to all mechanical, hydraulic, chemical or other energy, but does not cover electrical hazards. Subpart S of 29 CFR Part 1910 - Electrical Hazards, 29 CFR Part 1910.333 contains specific Lockout/ Tagout provision for electrical hazards.

Hazards and Actions

WARNING	
	
	Spilled fuels, accidents involving pumps/dispensers, or uncontrolled fuel flow create a serious hazard.
	Fire or explosion may result, causing serious injury or death. Follow established emergency procedures.

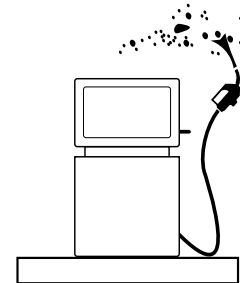
The following actions are recommended regarding these hazards:



Collision of a Vehicle with Unit



Fire at Island



Fuel Spill

- Do not go near a fuel spill or allow anyone else in the area.
- Use station EMERGENCY CUTOFF immediately. Turn off all system circuit breakers to the island(s).
- Do not use console E-STOP, ALL STOP and PUMP STOP to shut off power. These keys do not remove AC power and do not always stop product flow.
- Take precautions to avoid igniting fuel. Do not allow starting of vehicles in the area. Do not allow open flames, smoking or power tools in the area.
- Do not expose yourself to hazardous conditions such as fire, spilled fuel or exposed wiring.
- Call emergency numbers.

This page is intentionally left blank.

2 – Introduction

Purpose

This manual provides the parts list for the Satellite 215Q/216Q system. Using part numbers when ordering will speed up your order and reduce the possibility of the wrong parts being shipped. When ordering replacement parts, ensure that you give the complete name and part number as shown in the relevant parts list. It would also help to provide the serial number of the equipment.

Intended Users

The intended users of this manual are:

- Authorized Service Contractors (ASCs)
- Customer Specified Contractors (CSCs)

Related Reading

The following documents contain related information and may be helpful when ordering parts for Satellite 215Q/216Q system:

Document Number	Title	GOLD Library
035251	215S/216S Satellite Parts Manual	Gasboy Commercial and Retail Pumps
PT-1956 (formerly 035287)	Satellite 215A/216A Dispensers Parts List	Gasboy Commercial and Retail Pumps

Warranty

For information on warranty, refer to Gasboy's Warranty Policy Statement - MDE-4255. If you have any warranty-related questions, contact Gasboy's Warranty Department at its Greensboro location.

Abbreviations and Acronyms

The following table contains a list of acronyms used in this manual:

Acronym	Definition
AC	Alternating Current
ASC	Authorized Service Contractor
CSC	Customer Specified Contractor
CARB	California Air Resources Board
CoC	Certificate of Compliance
FCC	Federal Communications Commission
NCWM	National Conference of Weights and Measures
PC	Personal Computer
PCB	Printed Circuit Board

3 – Parts List

Using this Parts List

This manual is arranged from general to specific, presenting the complete unit first, then the chassis breakdown, and lastly the assembly breakdowns. If you cannot find the part you need from the chassis drawing, be sure to check the appropriate parts breakdown for your model.

Procedures requiring disassembly of portions of the pump/dispenser should be performed by competent service personnel. Do not depend on the repair service of a general mechanic. Only persons properly trained and authorized and using the appropriate manuals should service the equipment. Do not depend on a parts manual breakdown to perform service procedures. Manuals with service information also contain safety information relating to the procedures.

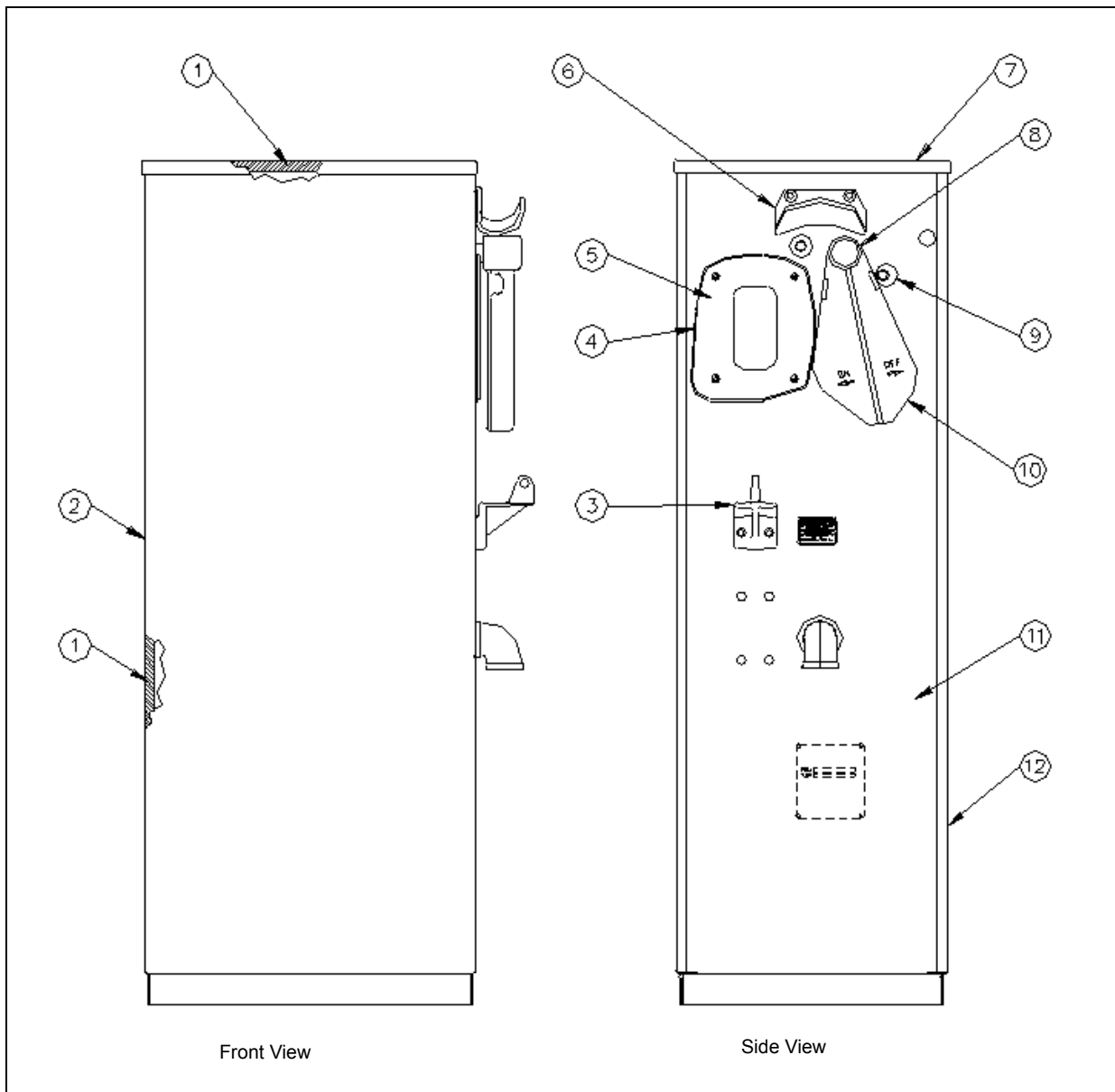
Note: Gasboy has a distributor network which services fuel dispensing and management systems in every section of the country.

WARNING



To reduce the risk of electrical shock when servicing, turn off and lock out all power to the pump/dispenser. In submersible pump applications, turn off and lock out power to the submersible pump and any other pumps/dispensers which use that submersible pump. AC power can feed back into a shut-off dispenser when dispensers share a common submersible pump or starter relay. Always turn off and lock out all power to the dispenser and submersible pumps at the master panel and close any impact valve before performing maintenance or service at the dispenser, including the changing of any fuel filters or strainers. Also block islands so that vehicles do not pull up to the dispenser when the dispenser is being serviced.

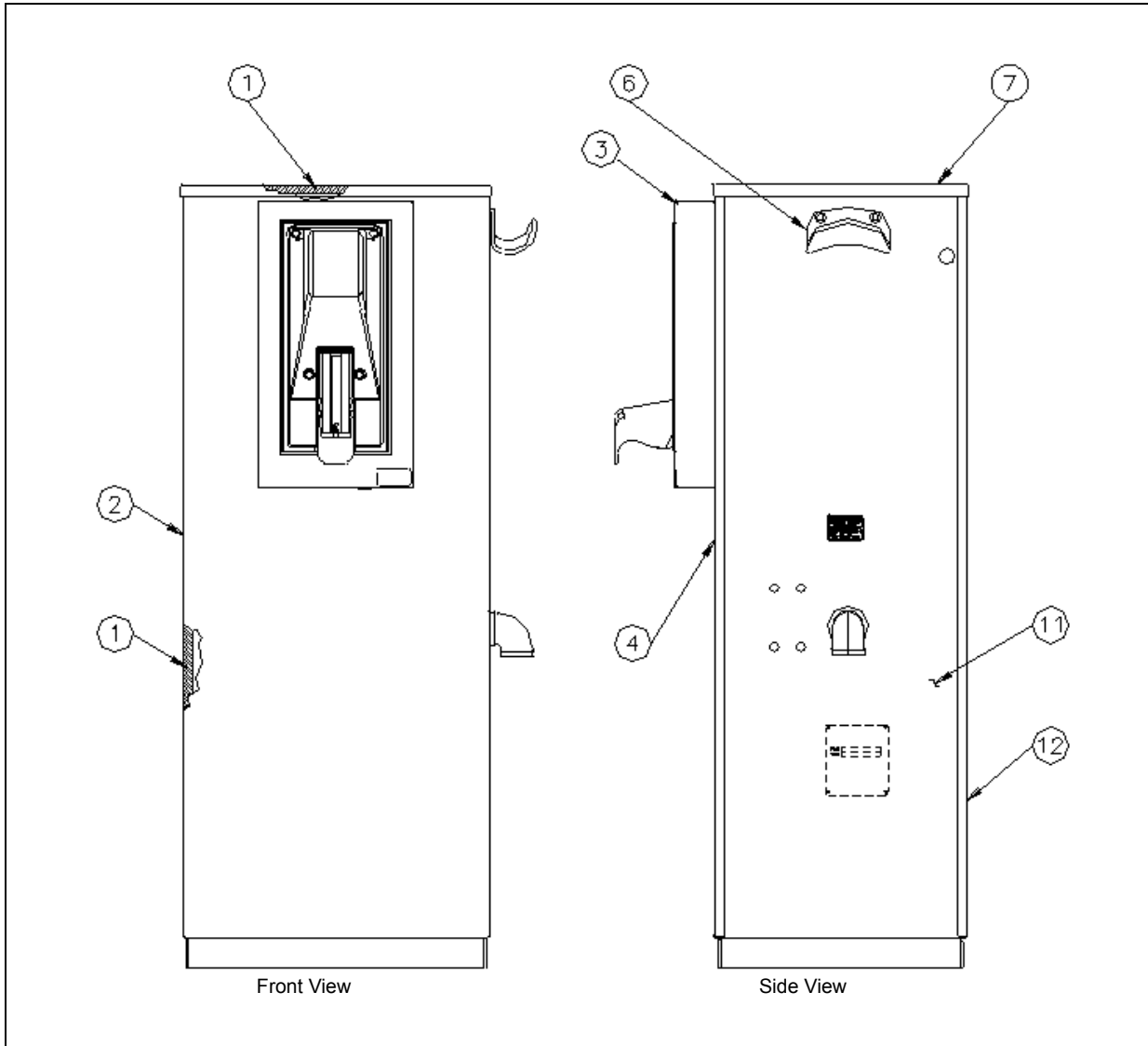
215Q/216Q Front and Side Views - Side Load (Illustration)



215Q/216Q Front and Side Views - Side Load

Item #	Description	Part Number
1	Gasket, 1/16" x 1/4", Rubatex®	027073
2	Panel, Left, Galvanized (See Note)	M05001B001
	Panel, Left, Stainless Steel	M05001B002
3	Hook Nozzle	003732
4	Gasket, Nozzle Boot	026850
5	Boot, Nozzle	003338
6	Hook, Hose	003740
7	Top Cover Weld, Galvanized (See Note)	042250
	Top Cover Weld, Stainless Steel	042257
8	Roll Pin	042657
9	Stop, Eccentric	063204
10	Lever, Control	003347
11	Panel, Right, Galvanized (See Note)	M05001B007
	Panel, Right, Stainless Steel	M05001B008
12	Panel, Front and Rear, Galvanized (See Note)	030808
	Panel, Front and Rear, Stainless Steel	030807
Note: Specify the standard color (black, white, red) of the pump/dispenser. If it is not a standard color, specify its serial number.		

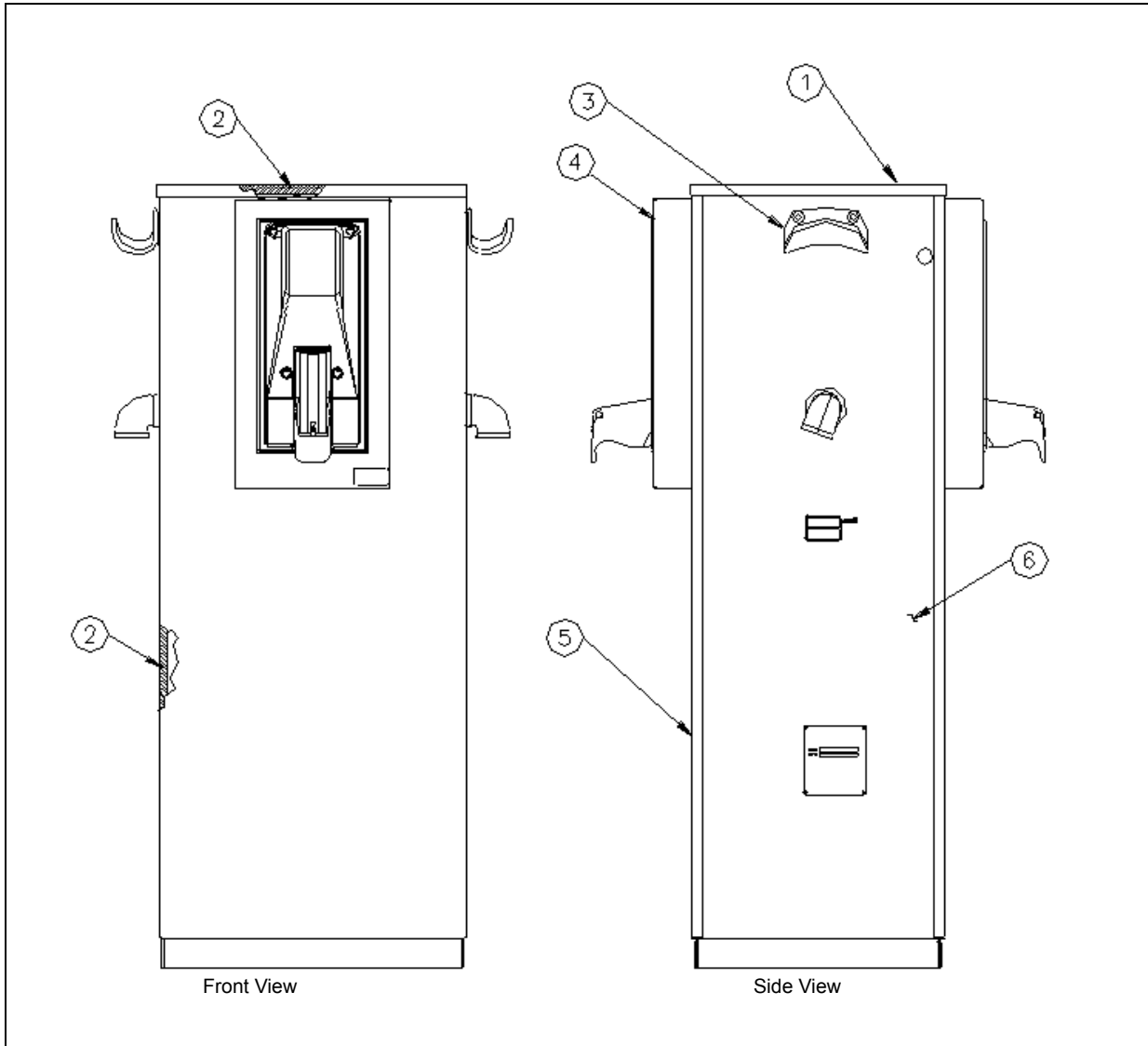
215Q/216Q Front and Side Views - Front Load Option (Illustration)



215Q/216Q Front and Side Views - Front Load Option

Item #	Description	Part Number
1	Gasket, 1/16" x 1/4", Rubatex	027073
2	Panel, Left, Galvanized (See Note)	M05001B001
	Panel, Left, Stainless Steel	M05001B002
3	Nozzle Boot Shroud (Painted)	041423
	Nozzle Boot Shroud (Stainless Steel)	042090
4	Panel Assy., Galvanized	041811
	Panel Assy., Stainless Steel	041816
6	Hook, Hose	003740
7	Top Cover Weld, Galvanized (See Note)	042250
	Top Cover Weld, Stainless Steel	042257
11	Panel, Right, Galvanized, Front Load (See Note)	M05001B005
	Panel, Right, Stainless Steel, Front Load	M05001B006
12	Panel, Front and Rear, Galvanized (See Note)	030808
	Panel, Front and Rear, Stainless Steel	030807
Note: Specify the standard color (black, white, red) of the pump/dispenser. If it is not a standard color, specify its serial number.		

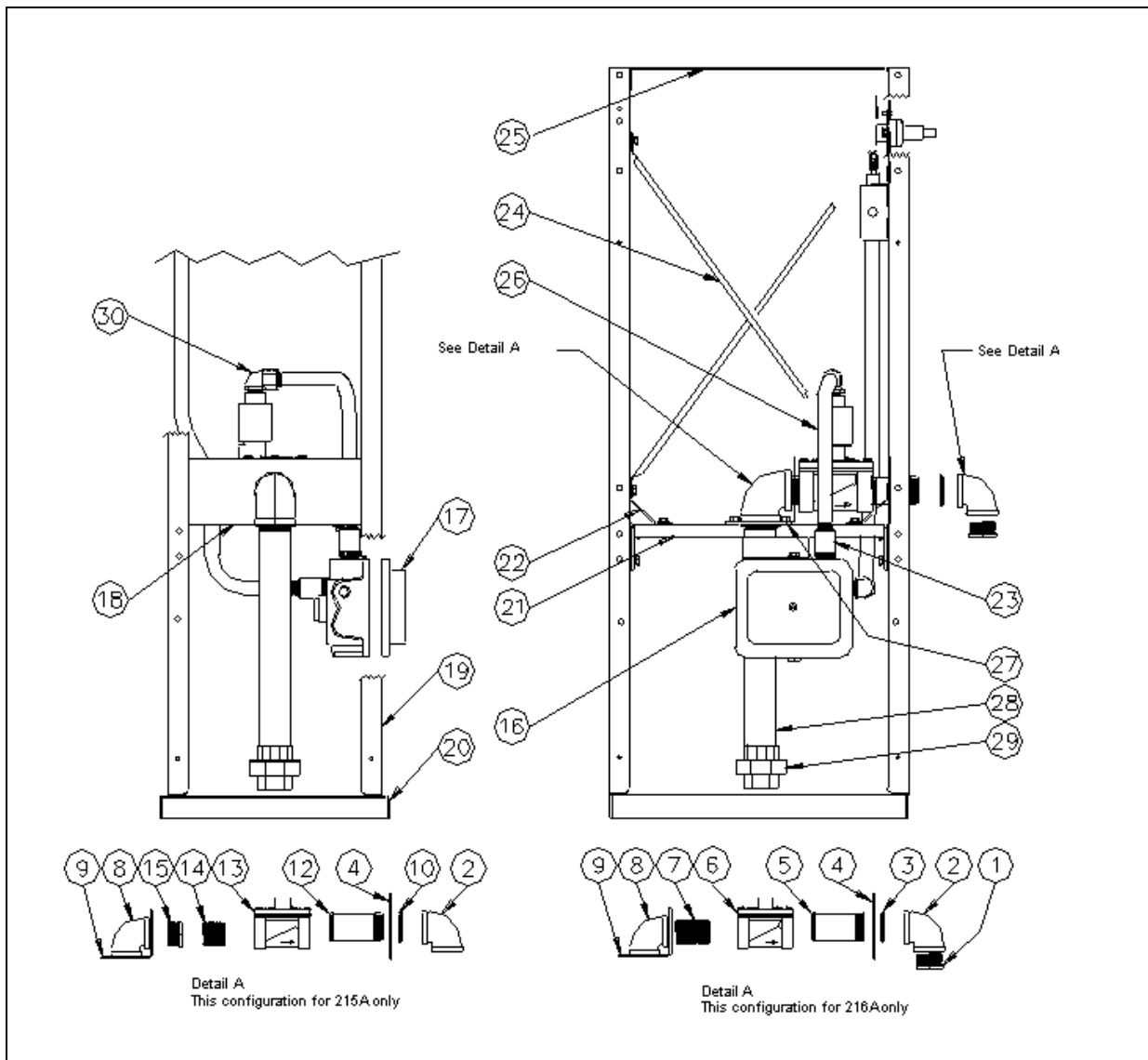
215Q/216Q Twin Front and Side Views - Front Load (Illustration)



215QTW/216QTW Twin Front and Side Views - Front Load

Item #	Description	Part Number
1	Top Cover Weld, Galvanized (See Note)	042250
	Top Cover Weld, Stainless Steel	042257
2	Gasket, 1/16" x 1/4", Rubatex	027073
3	Hook, Hose	003740
4	Nozzle Boot Shroud (Painted)	041423
	Nozzle Boot Shroud (Stainless Steel)	042090
5	Panel, Front, Galvanized	041811
	Panel, Front, Galvanized (Stainless Steel)	041816
6	Panel, Right, Galvanized, Front Load 215Q (See Note)	M05001B003
	Panel, Right, Stainless Steel, Front Load 215Q	M05001B004
	Panel, Right, Galvanized, Front Load 216Q (See Note)	M05001B009
	Panel, Right, Stainless Steel, Front Load 216Q	M05001B010
Note: Specify the standard color (black, white, red) of the pump/dispenser. If it is not a standard color, specify its serial number.		

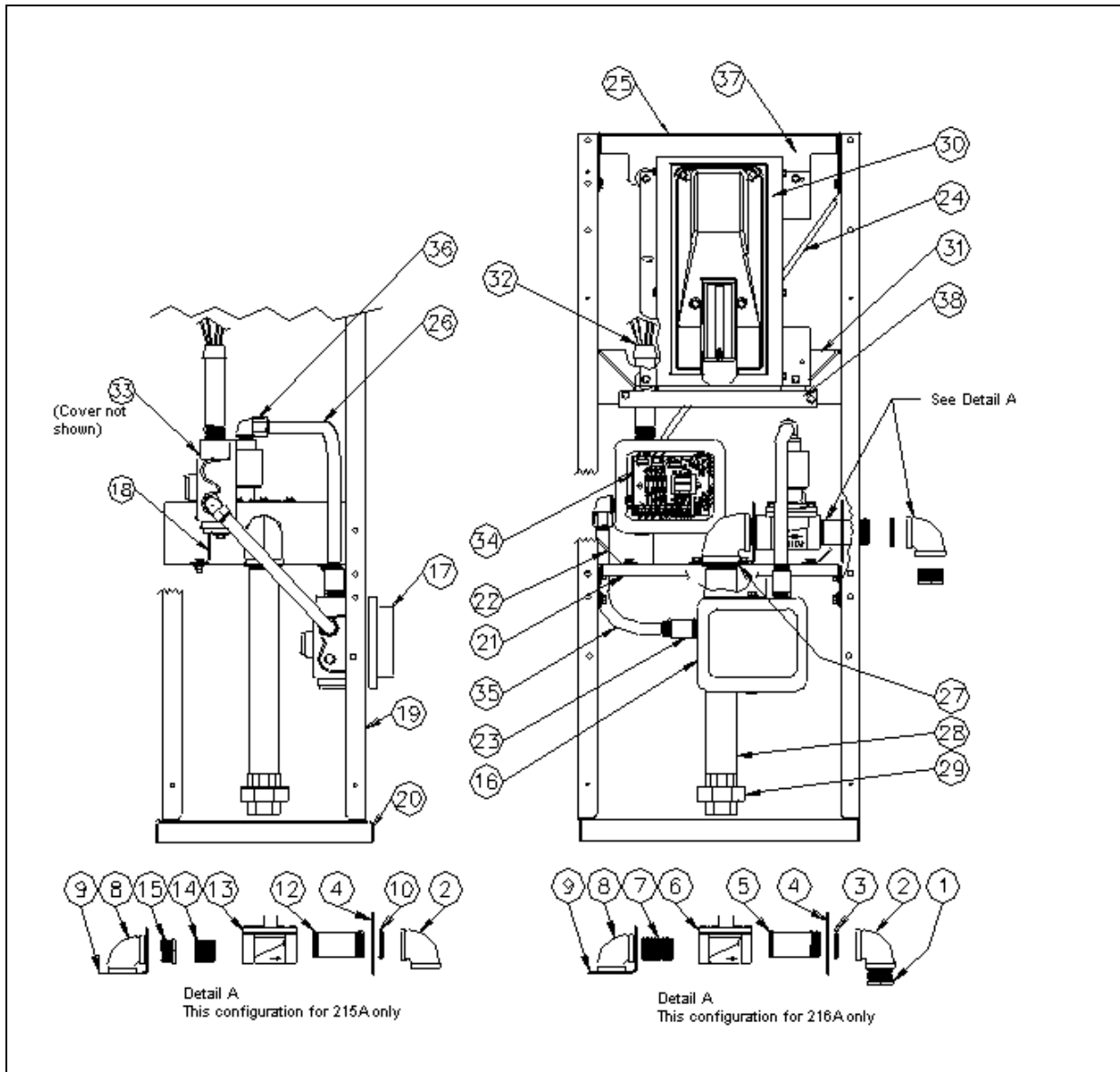
215Q/216Q Chassis Assembly (Illustration)



215Q/216Q Chassis Assembly

Item #	Description	Part Number
1	Reducer Bushing, Hex 1-1/4" x 1 CI	K02309-22
2	Elbow, Reducing 1-1/2" x 1-1/4" x 90° (216)	Z07941
	Elbow, Discharge, 1" (215)	024895
3	Grommet, Discharge	028975
4	Bracket, Pipe Support	023872
5	Pipe TBE, 1-1/2" x 4"	R11493-90
6	Solenoid Valve, 1-1/2" Skinner®, 2 Stg. Top Cond., 115V	067028
	Solenoid Valve, 1-1/2" Skinner, 2 Stg. Top Cond., 230V	067062
7	Pipe TBE, 1-1/2" x 2-1/2"	R11493-84
8	Elbow, 1-1/2" x 90°	K46046
9	Bracket, Pipe Support	015609
10	Grommet Discharge - 1"	028960
12	Pipe TBE, 1" x 4"	R11495-98
13	Solenoid Valve, 1" Skinner, 2-Stg, Top Cond., 115V	067034
	Solenoid Valve, 1" Skinner, 2-Stg, Top Cond., 230V	067036
14	Pipe TBE, 1" x 1-1/2" Close	R11495-20
15	Bushing, Hex Reducer	K07799
16	AC Junction Box	014168
	AC Junction Box, units after serial numbers 6511869-T and 486470.	003157
17	AC Junction Box Cover	003117
18	Bracket, Lower J-Box	015812
19	Post, Corner	042255
20	Base	M04452A001PB0
21	Support, Piping	M04484A001
22	Gusset	029309
23	1/2" UNY Explosion-proof Cond Union	N16289-20
24	Brace, Frame Support	042261
25	Support, Top	042273
26	Conduit, Solenoid, 215Q, units after serial numbers 6511869-T and 486470.	023201
	Conduit, Solenoid, 216Q, units after serial numbers 6511869-T and 486470.	023202
27	Nut, Lock	039133
28	Pipe TBE, 1-1/2" x 14-1/4"	R11493-100
29	Union, 1-1/2", 150 LB Stockham®	K12179
30	Elbow, Conduit	025045

215Q/216Q Chassis Assembly - Front Load Option

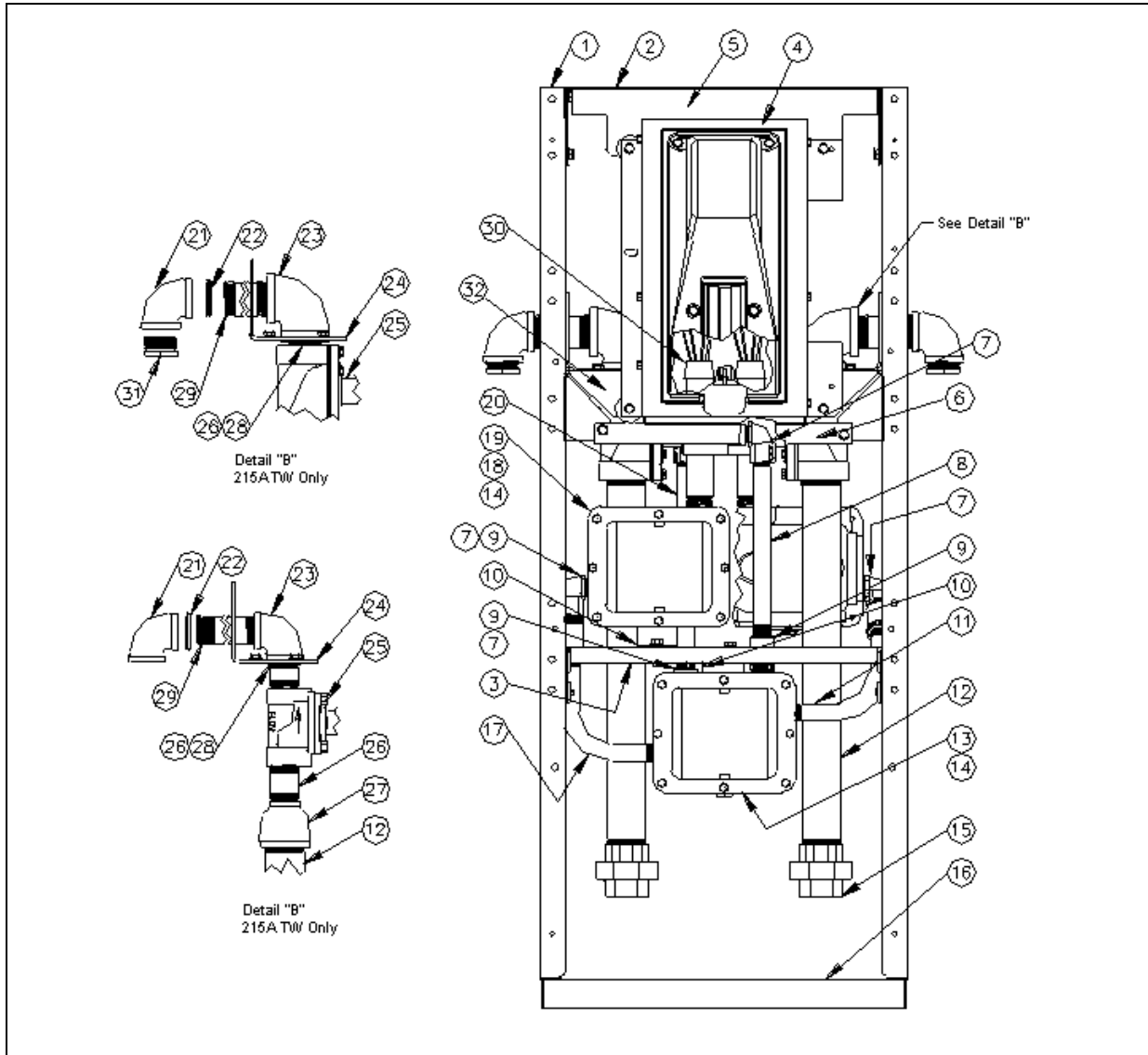


215Q/216Q Chassis Assembly - Front Load Option

Item #	Description	Part Number
1	Reducer Bushing, Hex, 1-1/4" x 1 MI	K02309-22
2	Elbow, Reducing, 1-1/2" x 1-1/4" x 90° (216)	Z07941
	Elbow, Discharge, 1" (215)	024895
3	Grommet, Discharge	028975
4	Bracket, Pipe Support	023872
5	Pipe TBE, 1-1/2" x 4"	R11493-90

Item #	Description	Part Number
6	Solenoid Valve, 1-1/2" Skinner, 2 Stg. Top Cond., 115V	067028
	Solenoid Valve, 1-1/2" Skinner, 2 Stg. Top Cond., 230V	067062
7	Pipe TBE, 1-1/2" x 2-1/2"	R11493-84
8	Elbow, 1-1/2" x 90°	K46046
9	Bracket, Pipe Support	015609
10	Grommet Discharge - 1"	028960
12	Pipe TBE, 1" x 4"	R11495-98
13	Solenoid Valve, 1" Skinner, 2-Stg, Top Cond., 115V	067034
	Solenoid Valve, 1" Skinner, 2-Stg, Top Cond., 230V	067036
14	Pipe TBE, 1" x 1-1/2" Close	R11495-20
15	Bushing, Hex Reducer	K07799
16	AC Junction Box	014168
	AC Junction Box, units after serial numbers 6511869-T and 486470	003157
17	AC Junction Box Cover	003117
18	Bracket, Lower J-Box	015812
19	Post, Corner	042255
20	Base	M04452A001PBO
21	Support, Piping	M04484A001
22	Gusset	029309
23	1/2" UNY Explosion-proof Cond Union	N16289-20
24	Brace, Frame Support	042261
25	Support, Top	042273
26	Conduit, Solenoid, 215Q	023201
	Conduit, Solenoid, 216Q	023202
27	Nut, Lock	039133
28	Pipe TBE, 1-1/2" x 14-1/4"	R11493-100
29	Union, 1-1/2", 150 LB Stockham	K12179
30	Nozzle Boot Assembly (includes switch)	041415
	Switch	*C04243
31	Gusset, Pipe Support Bracket	042301
32	IS Barrier Assembly	C06882
33	Junction Box	014187
34	PCB Assy., 115V	C07388
	PCB Assy., 230V	C07403
Note: * Denotes that this is a sub-part used in the preceding assembly.		
35	Conduit	023202
36	Elbow, Conduit	025045
37	Bracket, Nozzle Boot, Upper	042300
38	Brace, 215Q/216Q	042303

215QTW/216QTW Twin Chassis Assembly - Front Load Option (Illustration)

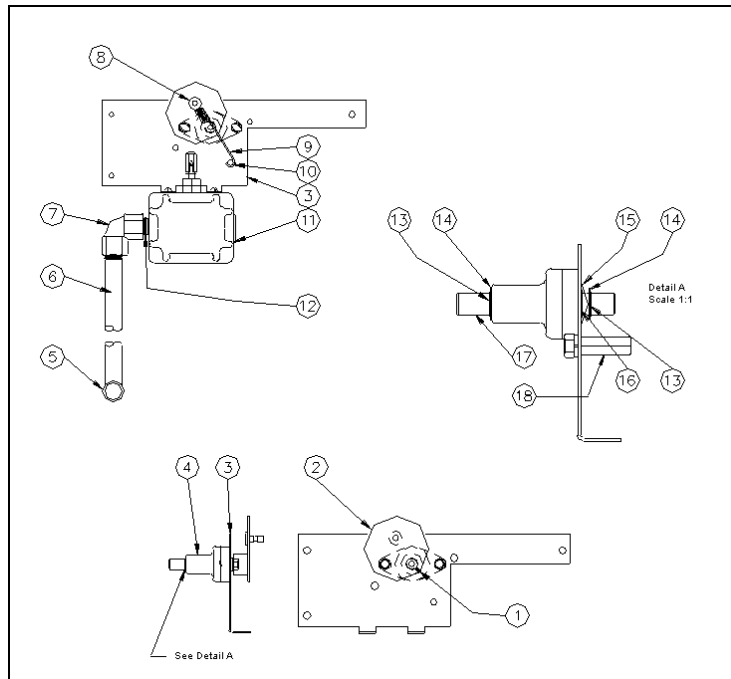


215QTW/216QTW Twin Chassis Assembly - Front Load Option

Item #	Description	Part Number
1	Post, Corner	042255
2	Support, Top	042273
3	Support, Piping	M04484A001
4	Nozzle Boot Assembly (includes switch)	041415
	Switch	*C04243
5	Bracket, Nozzle Boot Upper	042300

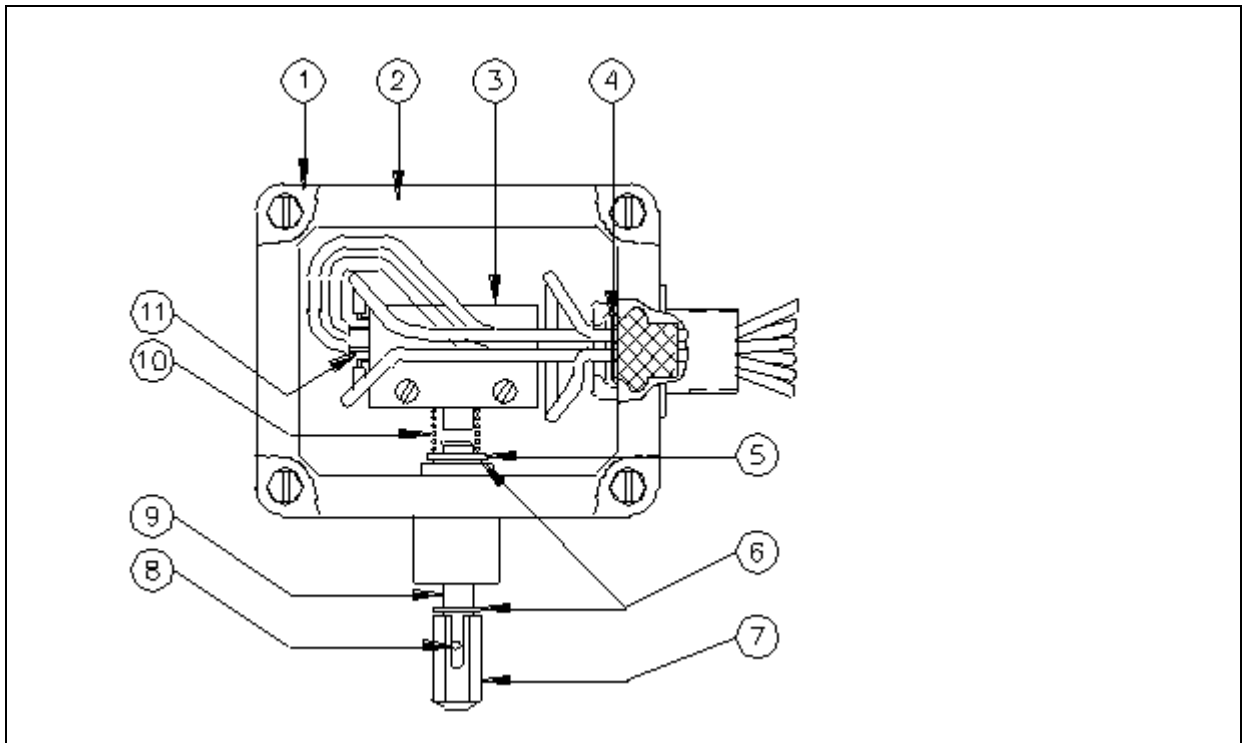
Item #	Description	Part Number
6	Brace, 215Q/216Q	042303
7	Elbow, Conduit	025045
8	Conduit, Solenoid	023013
9	1/2" UNY Explosion-proof Cond Union	N16289-20
10	Bracket, J-Box	041389
11	Conduit, J-Box/IS (right)	023009
12	Pipe TBE, 1-1/2" x 14-1/4", 215QTW	R11493-100
	Pipe TBE, 1-1/2" x 18-11/16", 216QTW	R11493-102
13	AC Junction Box	003116
14	AC Junction Box Cover	003117
15	Union, 1-1/2", 150 LB Stockham	K12179
16	Base	M04452A001PB0
17	Conduit, J-Box/IS (left)	023008
18	PCB Assy., 115V	C07388
	PCB Assy., 230V	C07403
19	Junction Box	014187
20	Conduit, Solenoid	023010
21	Elbow, Reducing, 1-1/2" x 1-1/4" x 90°, 216QTW	Z07941
	Elbow, Discharge, 1", 215QTW	024895
22	Grommet, Discharge, 216QTW	028975
	Grommet Discharge - 1", 215QTW	028960
23	Elbow, 1-1/2" x 90°, 216QTW	K46046
	Elbow, 1" x 90°, 215QTW	K02312
24	Bracket, Pipe Support, 216QTW	042304
	Bracket, Pipe Support, 215QTW	042302
25	Solenoid Valve, 1-1/2" Skinner, 2 Stg. Top Cond., 115V, 216QTW	067028
	Solenoid Valve, 1-1/2" Skinner, 2 Stg. Top Cond., 230V, 216QTW	067062
	Solenoid Valve, 1" Skinner, 2-Stg, Top Cond., 115V, 215QTW	067034
	Solenoid Valve, 1" Skinner, 2-Stg, Top Cond., 230V, 215QTW	067036
26	Pipe TBE, 1" x 1-3/4" Close Nipple, 216QTW	R11493-77
	Pipe TBE, 1" x 3", 215QTW	R11495-97
Note: * Denotes that this is a sub-part used in the preceding assembly.		
27	Nut, Lock, 216QTW	039133
	Nut, Lock, 215QTW	039134
28	Pipe TBE, 1-1/2" x 4"	R11493-90
	Pipe TBE, 1" x 4-1/2"	R11495-22
29	IS Barrier Assembly	C06882
30	Reducer Bushing, Hex, 1-1/4" x 1 MI	K02309-22
31	Gusset, Pipe Support Bracket	042301

Switch and Conduit Assembly (Illustration)



Item #	Description	Part Number
1	Screw Set	053500
2	Plate, Start Shaft Weld	046054
3	Plate, Switch	M04395A001
4	Start Shaft Bearing	003184
5	1/2" UNY Explosion-proof Cond Union	N16289-20
6	Conduit, Switch/AC Box units before serial numbers 6511869-T and 486470	023153
	Conduit, Switch/AC Box units after serial numbers 6511869-T and 486470	023149
7	Elbow, Conduit	025030
8	Pin, Collar	042912
9	Handle, Spring	029363
10	Spring Retainer	048794
11	Switch Housing and Wire Assy.	064461
12	Pipe TBE, 1/2" x 1-1/8"	N16771-78
13	Retaining Ring, Truarc®	K76238-20
14	Washer, Brass	067109
15	Wave Washer	068951
16	Bearing, Nyliner®, 1/2"	011958
17	Shaft, Start	054447
18	Stop, Spacer	056809

Switch Housing and Wire Assembly, 064461 (Illustration)



Item #	Description	Part Number
1	Cover, Switch	003517
2	Housing, Switch	003773
3	Switch, PDPDT	064333
4	Stop, 4-wire	063189
5	Washer, Stainless Steel, .328" x 19/32" x 1/1"	068606
6	Retaining Ring, Stainless Steel	049491
7	Nut, Adjusting	038569
8	Pin, Cotter	K02125
9	Shaft	054419
10	Spring	057161
11	Terminal, Wire 1/4F QC Flag	C09602

Rubatex® is a registered trademark of Rubatex International, LLC. Stockham® is a registered trademark of Stockham. Truarc® is a registered trademark of Truarc Company LLC. Nyliner® is a registered trademark of Thomson Nyliner.



© 2005 GASBOY

7300 West Friendly Avenue • Post Office Box 22087
Greensboro, North Carolina 27420

Phone 1-800-444-5529 • <http://www.gasboy.com> • Printed in the U.S.A.

PT-1942B Gasboy Satellite 215Q/216Q Dispenser Parts List • November 2005