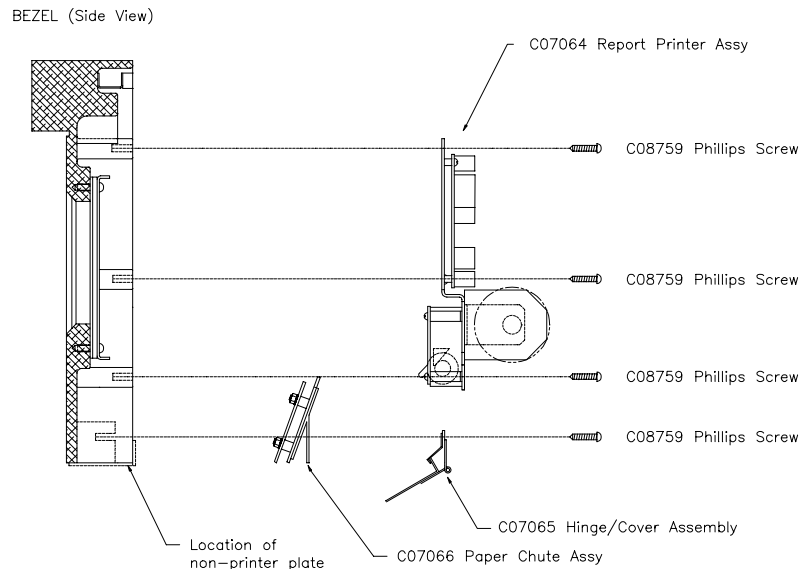


## FIELD INSTALLATION OF A SERIES 900 (TOPKAT) REPORT PRINTER KIT

The Series 900 TopKAT report printer kit (C07063, 115V or C07069, 230V) should contain the following parts:

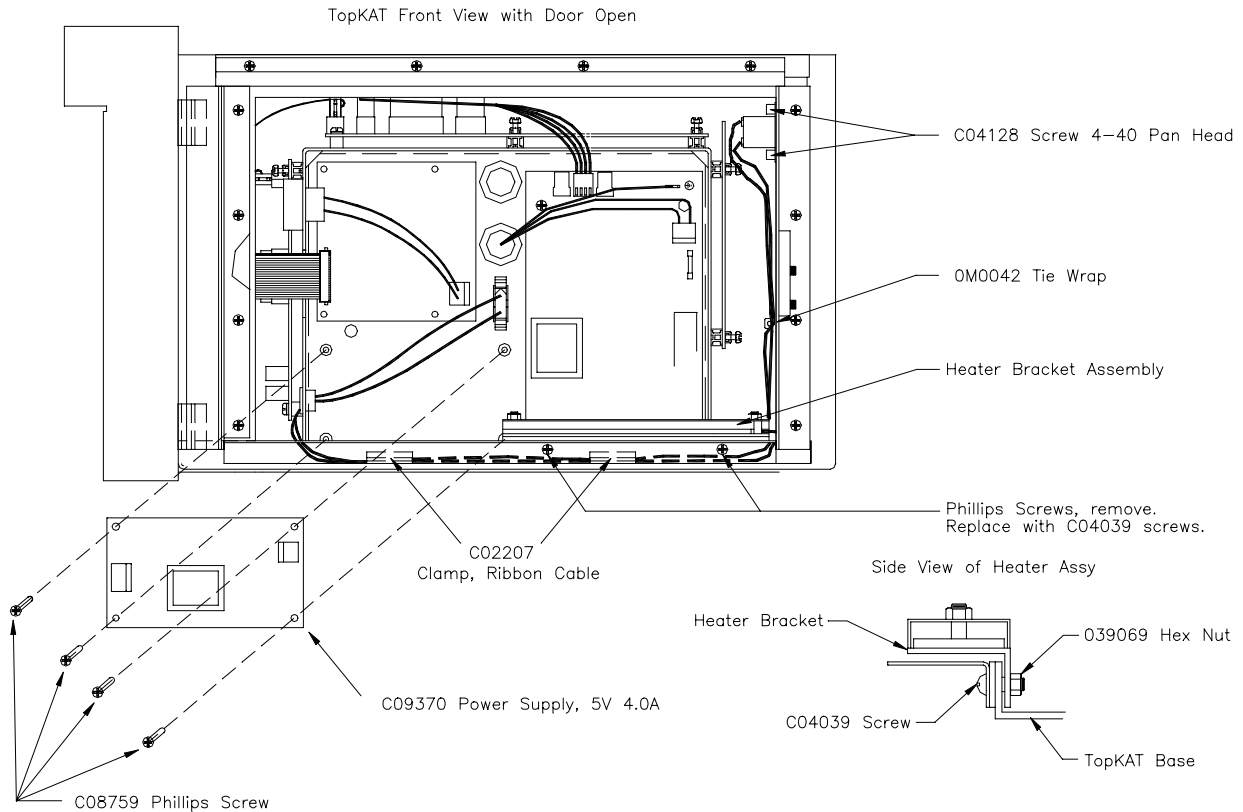
Item	Qty	P/N	Description	Item	Qty	P/N	Description
1	1	C07064	Report Printer Assembly	8	2	C02207	Clamp, Ribbon cable
2	1	C07065	Hinge/cover Assembly	9	2	039069	Nut hex #6-32
3	1	C07066	Paper Chute Assembly	10	8	C08759	Screw #6-32 Phillips
4	1	C07067	Heater Assembly (115V only)	11	2	C04128	Screw #4-40 Pan Head
	1	C07068	Heater Assembly (230V only)	12	1ft	027065	Gasket Rubatex R411
5	1	C35854	Field installation instructions	13	1	0M0042	Tie Wrap
6	1	C09370	Power Supply, 5V 4.0A	14	2	C04039	Screw #6-32 x 1/2 Phillips
7	1	C09568	Decal "CAUTION HOT"				

1. Unlock and open the front and rear door of the TopKAT.
2. Turn off the AC power switch located to the right when viewed from the rear of the head.
3. Remove two **C08759** screws holding the non-printer plate to the bezel. Also remove the bottom bezel gasket.
4. Install the paper chute assembly and hinge/cover assembly and secure them with the two **C08759** screws removed with the non-printer plate. (See the diagram below for proper location and position of the assemblies.)
5. Install **027065** gasket in place of the gasket removed earlier. (It maybe necessary to trim the gasket to insure a good seal.)
6. Install the printer assembly. Align the four screw holes and secure with four **C08759** screws. (See diagram below for proper location and position of the assemblies.)



7. Remove the power supply cover marked **WARNING HIGH VOLTAGE** by removing the three screws that secure it.
8. Install the **C09370** power supply into the lower left corner of the power supply chassis assembly, with the 4-position DC connector to the left and 3-position AC connector to the right. Secure the supply with four **C08759** screws.
9. Attach the two connectors from the printer assembly cable. One connector plugs into J8 on the TopKAT CPU Board; the other connector plugs into the 4-position DC out. Be sure to put the DC connector through the bushing from left to right then onto DC output connector. Failure to do this will not allow you to reinstall the power supply cover without pinching the cable.

10. Remove the two Phillips screws on the lower right rain gutter and replace with two C04039 screws.
11. Install the Heater Bracket Assy and Thermostat. Use two **039069** hex nuts to secure the bracket to the TopKAT. Mount the thermostat to the vertical support bracket to the upper right side of the TopKAT and secure with two **C04128** screws. Run the AC power cable through the same bushing as you did with the power supply cable. Connect one end to the AC input (TB1) of printer supply and the other into the plug located above printer supply. Apply the **C09568 CAUTION HOT** decal just to the left of the heater. Use two **C02207** clamps to hold the AC wires down. Secure the AC wiring to the right bracket by threading an **0M0042** tie wrap through the hole on the bracket (about 4 inches below the thermostat). See the drawing below to aid in this installation.



12. On the TopKAT CPU board, open SW1, switch 3.
13. Turn on the power and check for 5 volts between TP 1(grd) and TP16 (Vcc) on the Printer Controller PCB. Adjust the supply to 5.05v by turning the potentiometer, located on the upper left corner of the printer power supply. Turn clockwise to increase voltage and counter-clockwise to decrease the voltage.
14. Reinstall the power supply cover and secure it with the three screws.
15. Refer the *TopKAT Operation Manual* to adjust contrast and load paper.
16. Close and lock the front and rear doors of the unit.