



GASBOY

215S/216S

SATELLITE

PARTS MANUAL

035251

REV. 03/07/03

Copyright 2003 by Gasboy International LLC All rights reserved.
The information in this document is confidential and proprietary. No further disclosure shall be made without permission from Gasboy International LLC. Gasboy International LLC believes that the information in this document is accurate and reliable. However, we assume no responsibility for its use, nor for any infringements of patents or other rights of third parties resulting from its use. We reserve the right to make changes at any time without notice.

GASBOY INTERNATIONAL LLC LANSDALE, PA

IMPORTANT WARNINGS AND SAFEGUARDS

Gasoline and petroleum products are flammable. To avoid injury or death to persons or damage to equipment or property, follow these listed warnings and other warnings and precautions outlined in this manual when installing, using, or working around this equipment. Check with GASBOY Technical Services for compatibility of liquids with pump materials.

TURN OFF AND LOCK OUT ALL POWER TO PUMP BEFORE PERFORMING SERVICE, MAINTENANCE OR IN THE EVENT OF A FUEL SPILL.

All products must be installed by a qualified installer and used in conformance with all building, fire, and environmental codes and other safety requirements applicable to its installation and use, including, but not limited to, NFPA 30, NFPA 30A, NFPA 395 & NFPA 70. A qualified installer is familiar with fuel systems installations under the above stated building, fire, and environmental codes and other safety requirements for the particular type of installation.

This product is only part of a fuel dispensing system and additional equipment and accessories, such as, but not limited to, breakaway connectors, shear valves, pressure regulators, flow limiters, and other safety devices may be necessary to meet the applicable codes.

For maximum safety, we recommend that all employees be trained as to the location and procedure for turning off power to the entire system. Instructions regarding proper operation of the equipment along with the appropriate safety warnings should be posted in plain view at the fuel island.

Before performing service or maintenance (including changing of fuel filters or strainers) or in the event of a fuel spill, turn off and lock out all power to the system. In battery-powered pumps, disconnect power source. In submersible pump applications, turn off and lock out power at the master panel and close any impact valves to the submersible pump and any other dispensers which use that submersible pump. AC power can feed back into a shut-off dispenser when dispensers share a common submersible pump or starter relay. Also block islands so no vehicles can pull up to the dispenser when the dispenser is being worked on.

DO NOT use Teflon tape for any pipe threads in the product.

DO NOT use consumer pumps for pumping fuel or additives into aircraft.

DO NOT use commercial pumps for direct fueling of aircraft without filters and separators necessary to ensure product purity.

DO NOT use where sanitary design is required (for food products for human consumption) or with water-based liquids.

DO NOT smoke near the pump or when using the pump.

DO NOT use near open flame or electrical equipment which may ignite fumes.

DO NOT permit the dispensing of gasoline or other petroleum products into a vehicle with its motor running.

DO NOT permit the dispensing of gasoline or other petroleum products into unapproved containers or into approved containers in or on vehicles including trucks. All containers must be filled on the ground to prevent static discharge. Always use Approved and Listed hoses and nozzles with electric pumps and dispensers.

DO NOT block open the nozzle in any manner. Nozzles shall conform to UL and NFPA code requirements for attended or unattended service.

DO ensure that the pump is equipped with proper filters based on the product being dispensed and its intended use.

DO wear safety goggles and protective clothes when dispensing any liquid which may be potentially harmful or hazardous.

DO keep all parts of body and loose clothing clear of belts, pulleys, and other exposed moving parts at all times.

DO require washing and changing of clothes if fuel is spilled on a person or his/her clothing. Keep away from open flames, sparks, or people smoking.

DO provide a receptacle for catching product from pump/meter when servicing.

DO clean up product spills on the driveway. Turn off and lock out all power prior to cleanup.

DO insure pump is properly grounded.

DO insure hose is compatible with fluid being dispensed.

DO inspect hose, nozzle, and pump on a regular basis for wear, damage, or other conditions which may create a safety or environmental hazard.

DO make sure all pipe threads are properly cut and the inside reamed to remove burrs. Use UL classified gasoline-resisting compound on all joints of gasoline handling piping. Sealing compound must also be resistant to Gasohol (Ethanol and Methanol). Use gasoline-resistant pipe compound on male threads only; pipe compound used on female threads can be squeezed into the supply line where it can enter the product stream and become lodged in the pump or meter.

DO ensure that junction box covers are in place and properly tightened. Mating surfaces between the box and cover must be free of dirt, nicks, and scratches. All unused entries into the junction box must be properly plugged.

CONTENTS

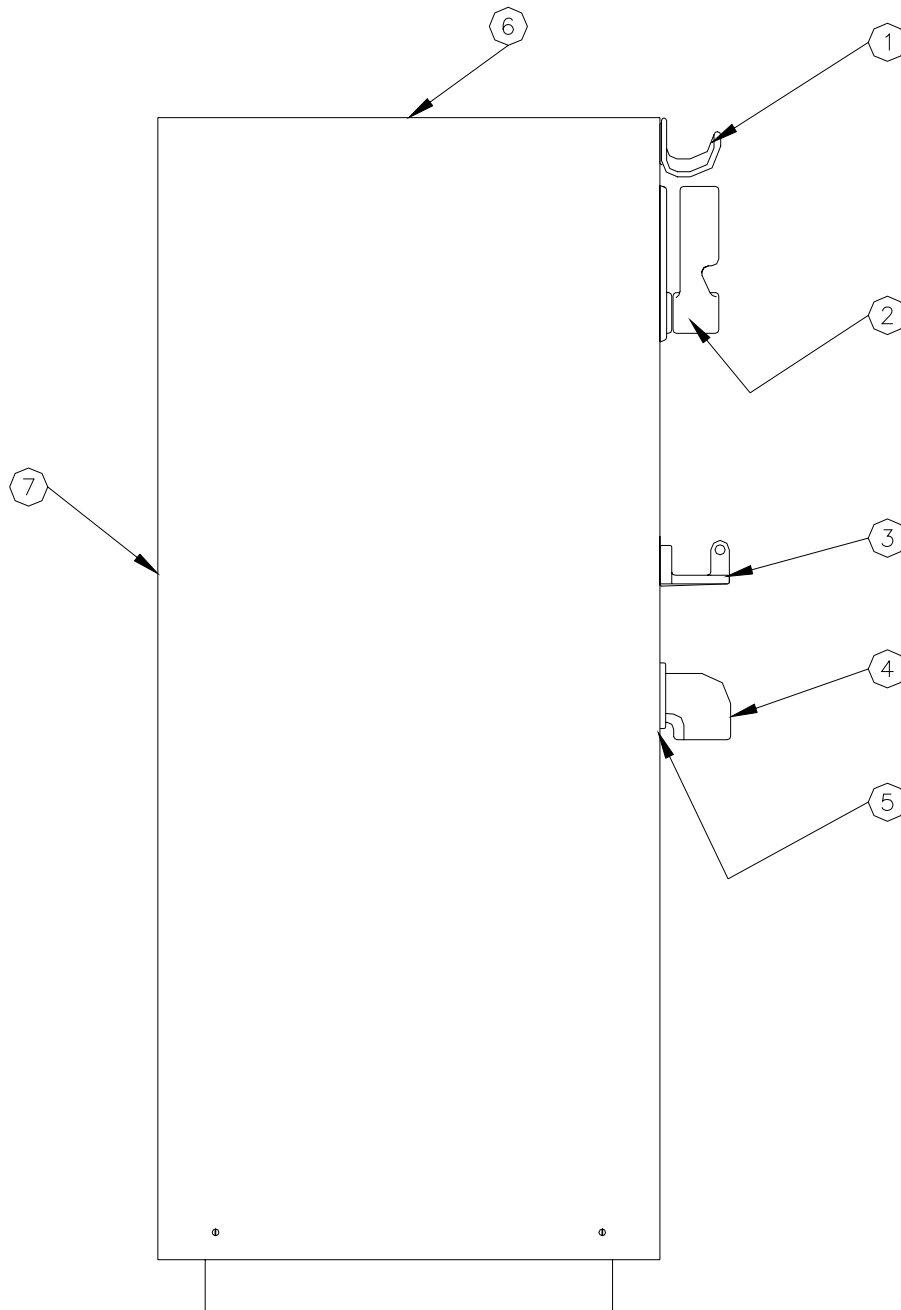
General	1
Final Assemblies	
215S, Final Assembly - Front View	2
215S, Final Assembly - Side View	3
216S, 1" Nozzle Final Assembly - Front View	4
216S, 1" Nozzle Final Assembly - Side View	5
216S, 1-1/4" Nozzle Final Assembly - Front View	6
216S, 1-1/4" Nozzle Final Assembly - Side View	7
Chassis Assemblies	
215S Chassis - Front View	8
215S Chassis - Side View	9
216S Chassis - Front View	10
216S Chassis - Side View	11
Breakdown	
Switch Housing and Wire Assembly.....	12
High Hose Retriever.....	13
Warranty	

PARTS LIST

GENERAL

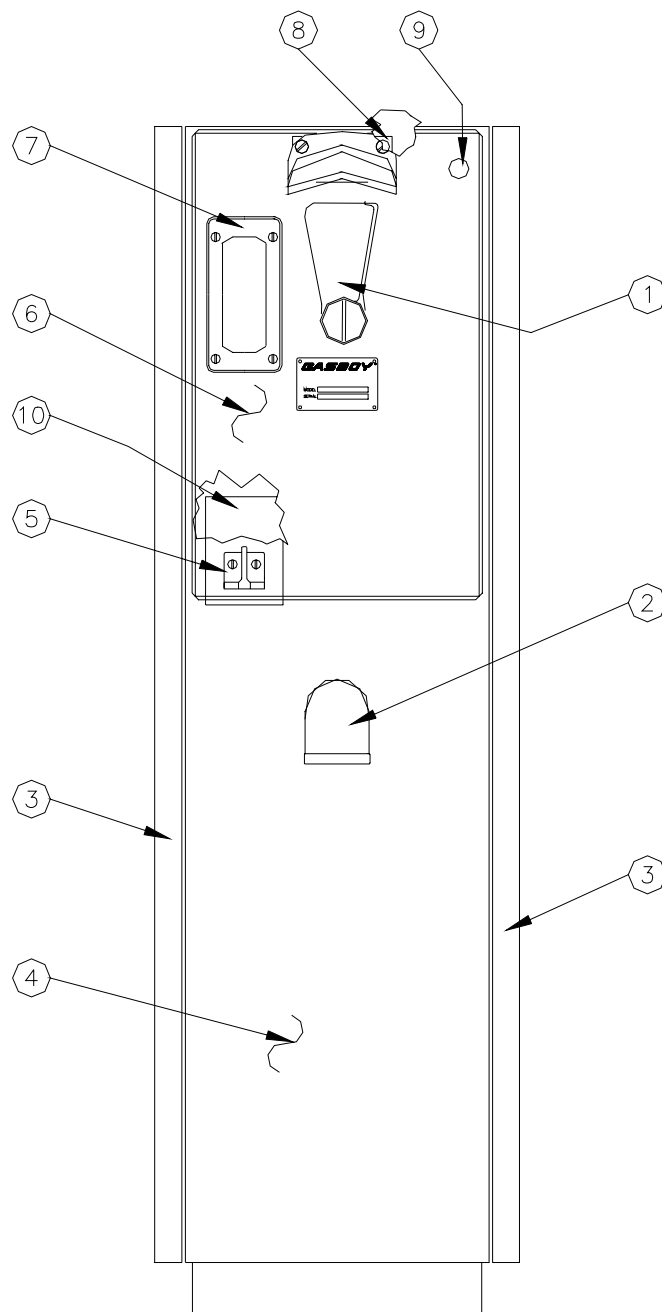
This manual lists parts information for the Model 215S and 216S Satellites. Using part numbers when ordering will expedite your order and reduce the possibility of the wrong parts being shipped. When ordering replacement parts, be sure to give the complete name and part number as shown in the appropriate parts lists. It is also helpful to supply the serial number of the equipment.

215S, FINAL ASSEMBLY - FRONT VIEW



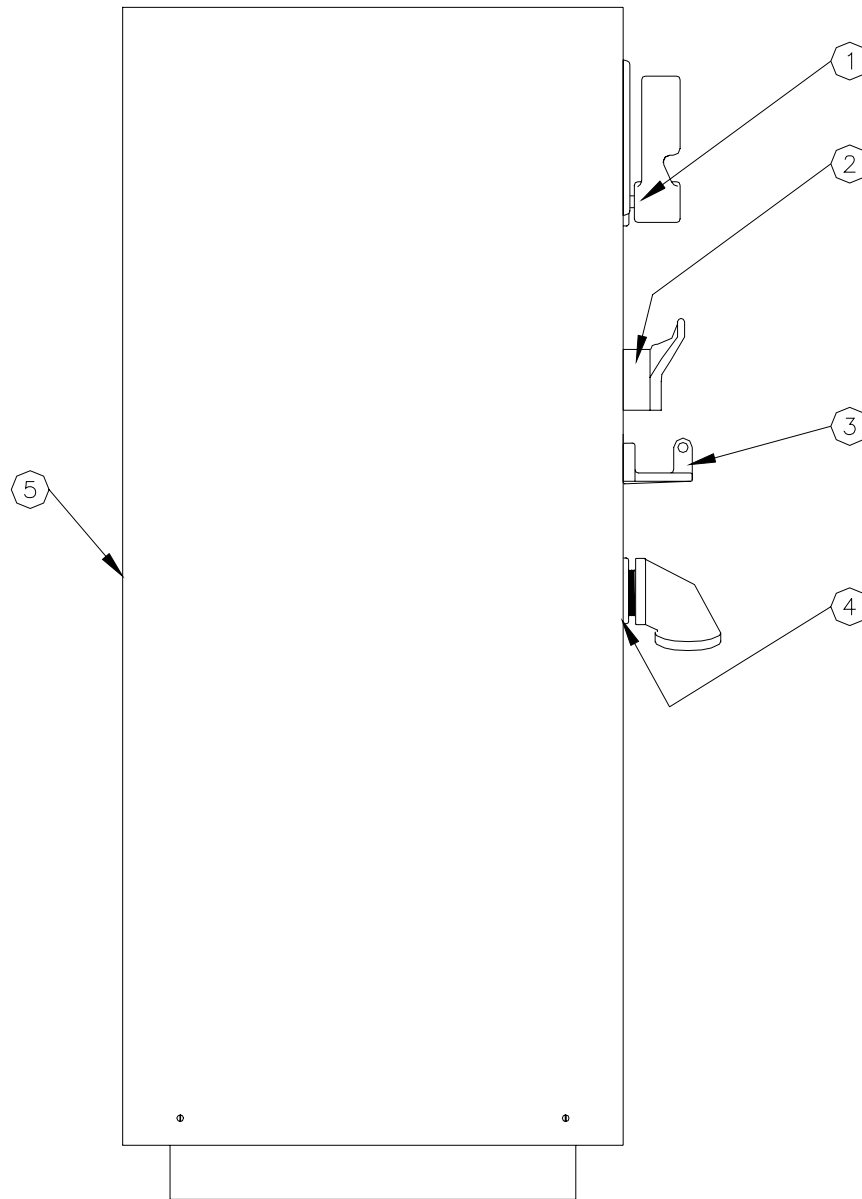
Item	Part No.	Description
1	003740	Hose Hanger
2	043105	Pin, Spirol, 3/16 x 1-1/4, CRS
3	003745	Hook, Nozzle
	046011	Hook, Richards Nozzle
4	003620	Elbow, Discharge, 1"
5	028960	Grommet, Discharge, 1"
6	022119	Top Cover Weld Assy., CRS
	022165	Top Cover Weld Assy., SS
7	040168	Panel, Left, CRS
	040176	Panel, Left, SS

215S, FINAL ASSEMBLY - SIDE VIEW



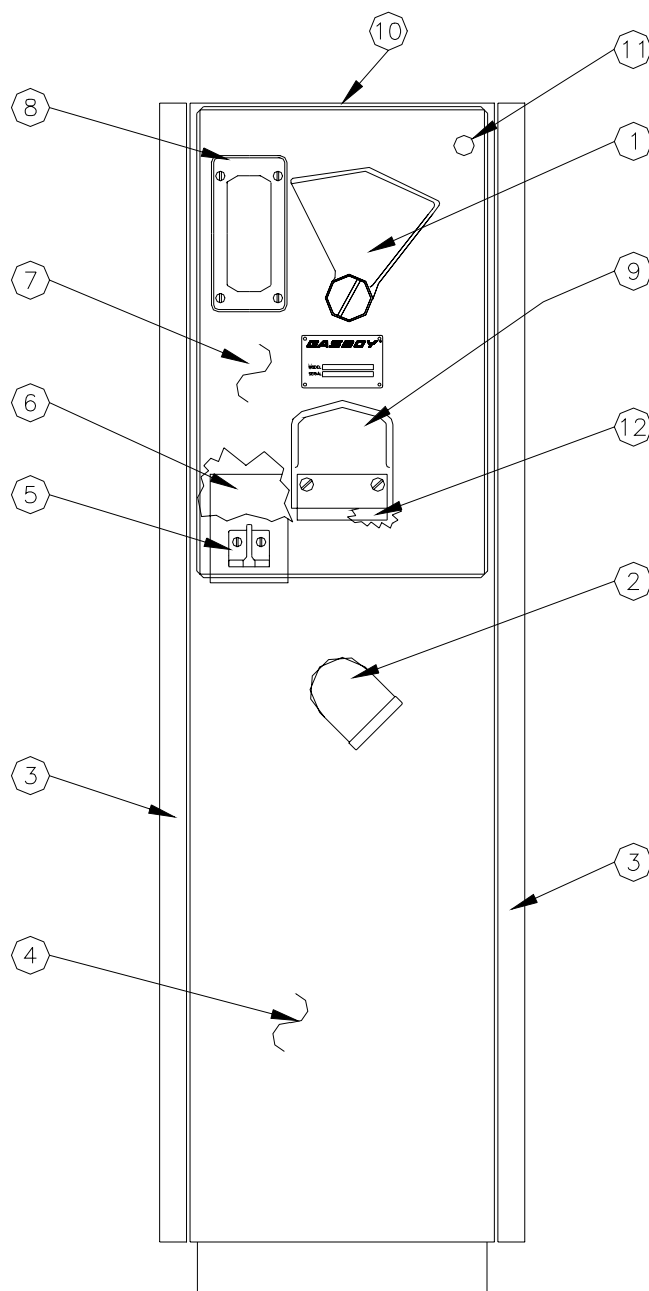
Item	Part No.	Description	Item	Part No.	Description
1	033825	Lever, Control	5	003745	Hook, Nozzle
2	003620	Elbow, Discharge, 1"	6	041951	Panel, Scuff, Rt
3	040601	Panel, Front & Rear, CRS	7	003332	Boot, Nozzle
	040177	Panel, Front & Rear, SS	8	046300	Plate, Hose Hanger, Stiffener
4	040169	Panel, Right, CRS	9	047229	Plug
	040178	Panel, Right, SS	10	046943	Plate, Nozzle Hook Backup

216S, 1" NOZZLE, FINAL ASSEMBLY - FRONT VIEW



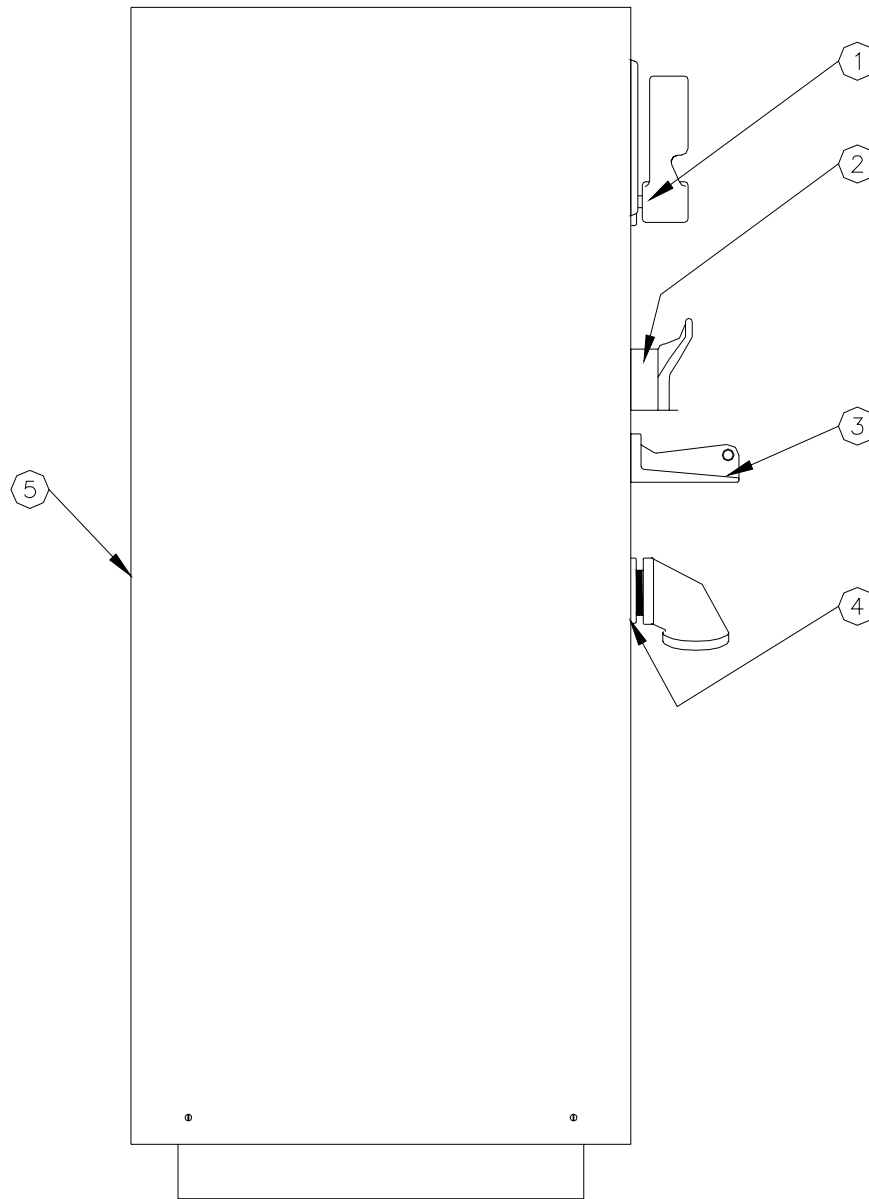
Item	Part No.	Description
1	043105	Pin, Spirol, 3/16 x 1-1/4, CRS
2	056779	Spacer
3	003745	Hook, Nozzle
4	028975	Grommet, Discharge
5	040168	Panel, Left, CRS
	040176	Panel, Left, SS

216S, 1" NOZZLE, FINAL ASSEMBLY - SIDE VIEW



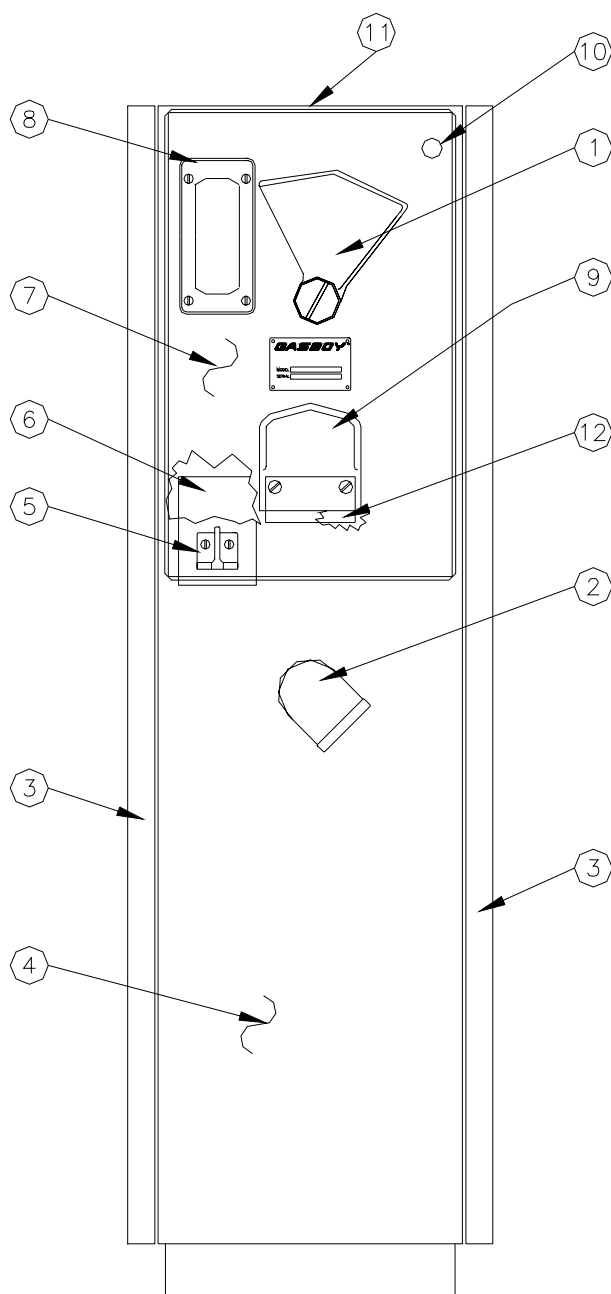
Item	Part No.	Description	Item	Part No.	Description
1	033831	Lever, Control	7	040160	Panel, Scuff, Right
2	024944	Elbow, Red, 1-1/2 x 1 x 90°	8	003817	Boot, Nozzle
3	040601	Panel, Front & Rear, CRS	9	003739	Hose Hanger
	040177	Panel, Front & Rear, SS	10	022119	Top Cover Weld Assy., CRS
4	040161	Panel, Right, 216S, CRS		022165	Top Cover Weld Assy., SS
	040193	Panel, Right, 216S, SS	11	047229	Plug
5	003745	Hook, Nozzle	12	046300	Plate, Hose Hanger Stiffener
6	046943	Plate, Nozzle Hanger Backup			

216S, 1-1/4" NOZZLE, FINAL ASSEMBLY - FRONT VIEW



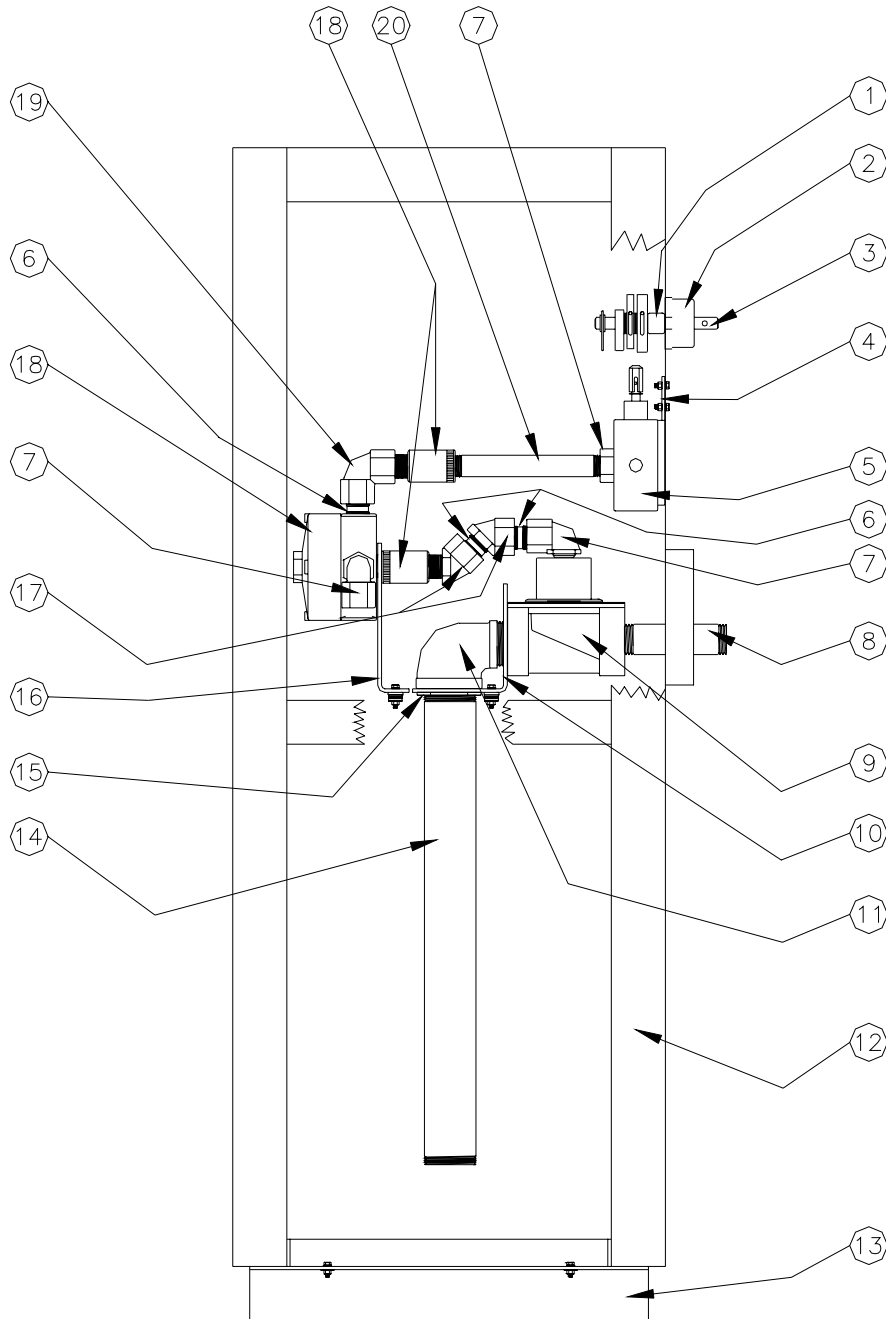
Item	Part No.	Description
1	043105	Pin, Spirol, 3/16 x 1-1/4, CRS
2	056779	Spacer
3	003319	Hook, Nozzle
4	028975	Grommet, Discharge
5	040168	Panel, Left, CRS
	040176	Panel, Left, SS

216S, 1-1/4" NOZZLE, FINAL ASSEMBLY - SIDE VIEW



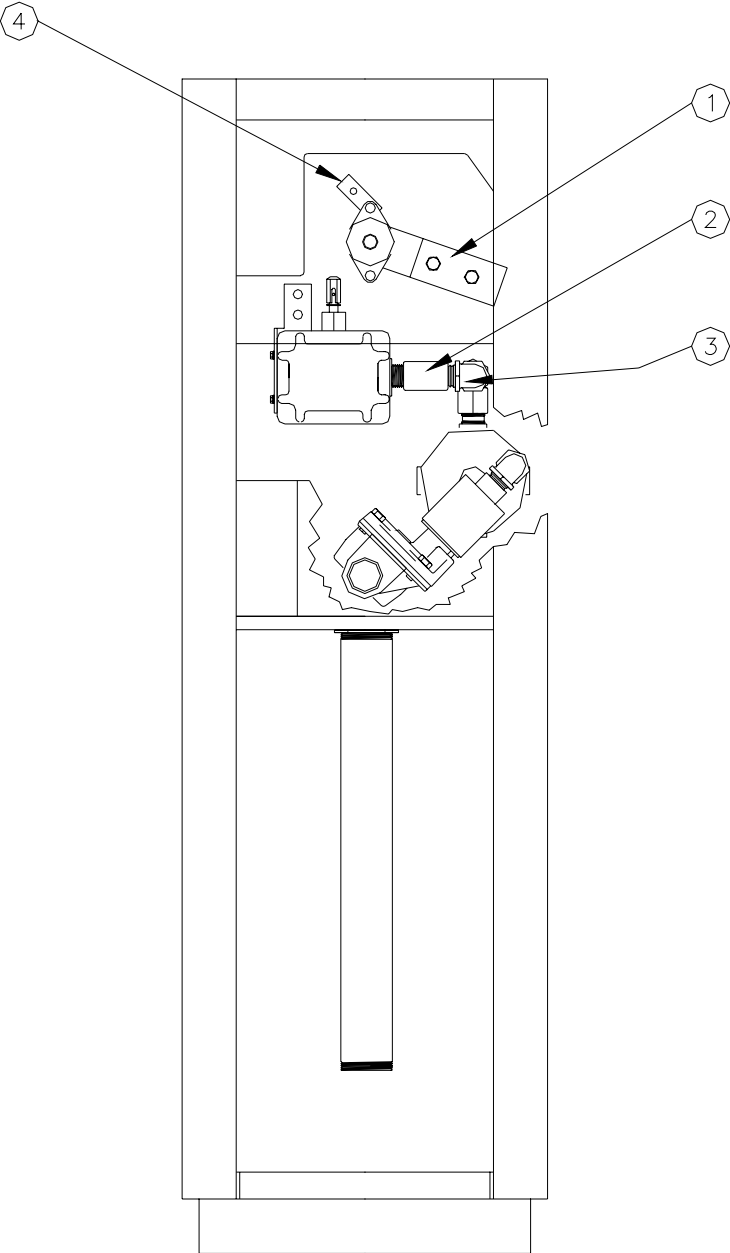
Item	Part No.	Description	Item	Part No.	Description
1	033831	Lever, Control	7	040160	Panel, Scuff, Right
2	Z07941	Elbow, Red, 1-1/2 x 1-1/4 x 90°	8	003817	Boot, Nozzle
3	040601	Panel, Front & Rear, CRS	9	003739	Hose Hanger
	040177	Panel, Front & Rear, SS	10	047229	Plug
4	040161	Panel, Right, CRS	11	022119	Top Cover Weld Assy., CRS
	040193	Panel, Right, SS		022165	Top Cover Weld Assy., SS
5	003319	Hook, Nozzle	12	046300	Plate, Hose Hanger Stiffener
6	046943	Plate, Nozzle Hanger Backup			

215S CHASSIS - FRONT VIEW



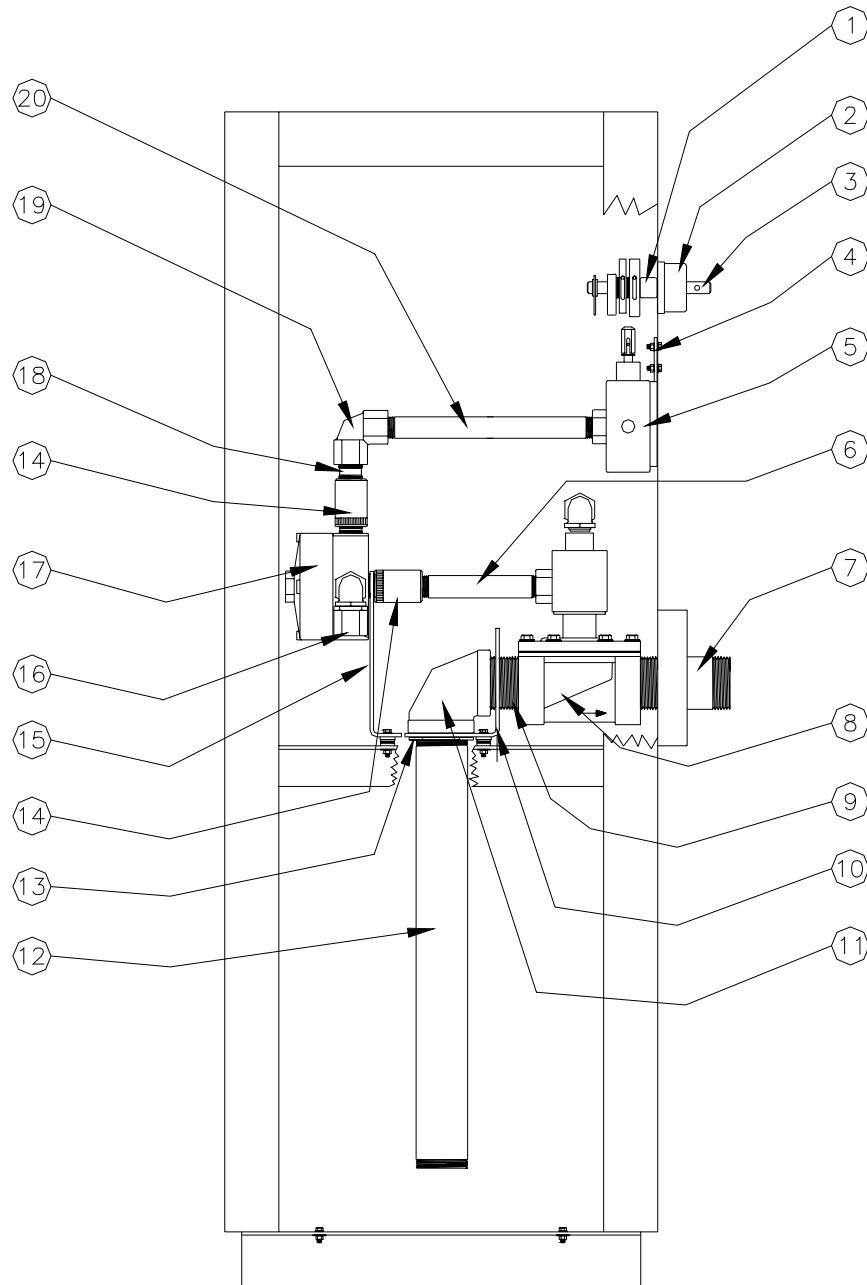
Item	Part No.	Description	Item	Part No.	Description
1	017261	Bushing, Operating Shaft	11	024944	Elbow, Red, 1-1/2 x 1 x 90°
2	003185	Bearing, Start Shaft	12	026573	Frame, 215S
3	055648	Shaft, Start Assy.	13	011636	Base, 215S
4	015573	Bracket	14	044922	Pipe TBE, 1-1/2 x 18-1/8
5	064461	Switch Housing & Wire Assy.	15	031933	Nut, Lock, Conduit, 1-1/2
6	038050	Pipe TBE, 1/2 x 1-1/8	16	014752	Bracket, Junction Box
7	025045	Elbow, Conduit, 1/2 x 90°, M/F	17	025015	Elbow, Conduit, 1/2 x 45°
8	044555	Pipe TBE, 1 x 3-3/4	18	014113	Box, Junction, Red Dot, 19.3 ci
9	067034	VL Sol, 1" Skin, 2 Stg, Tp Cond	19	025030	Elbow, Conduit, 1/2 x 90° F/F
10	015437	Bracket, Pipe Support	20	021377	Conduit

215S CHASSIS - SIDE VIEW

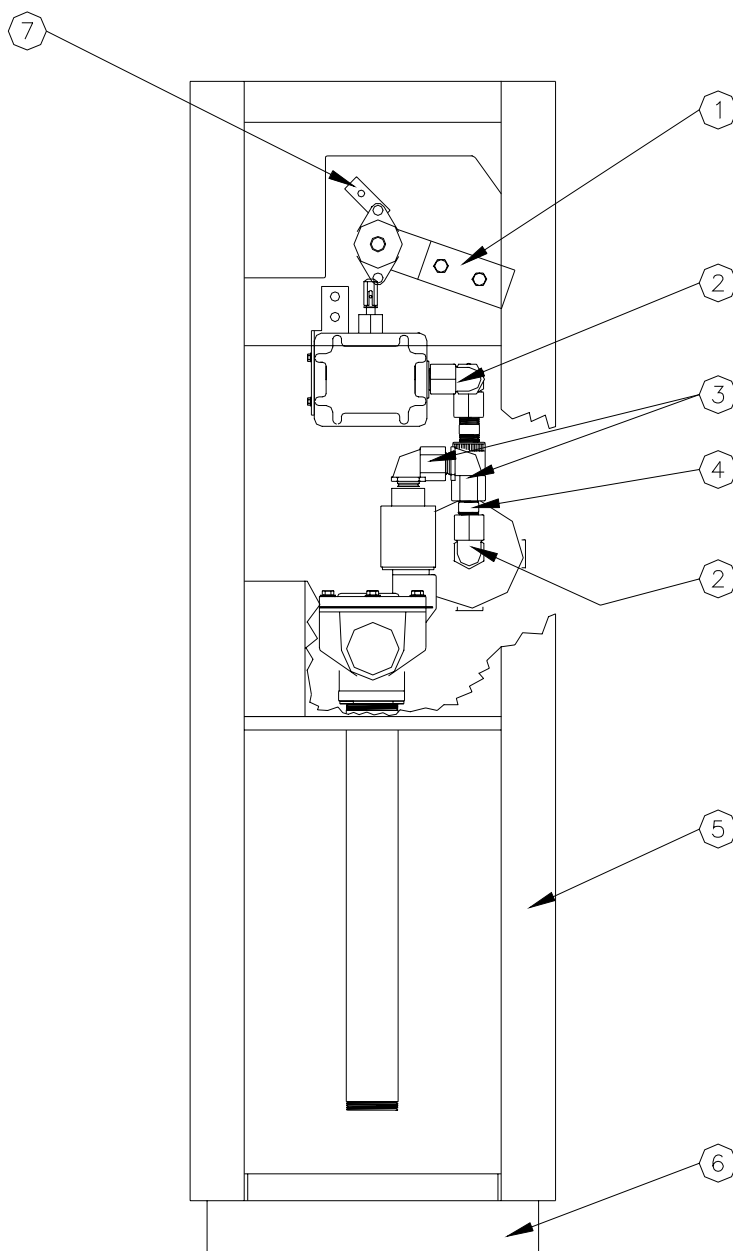


Item	Part No.	Description
1	014942	Bracket, Control Shaft
2	021986	Conduit Coupling
3	025045	Elbow, Conduit, 1/2 x 90°
4	012658	Block Stop Assembly

216S CHASSIS - FRONT VIEW

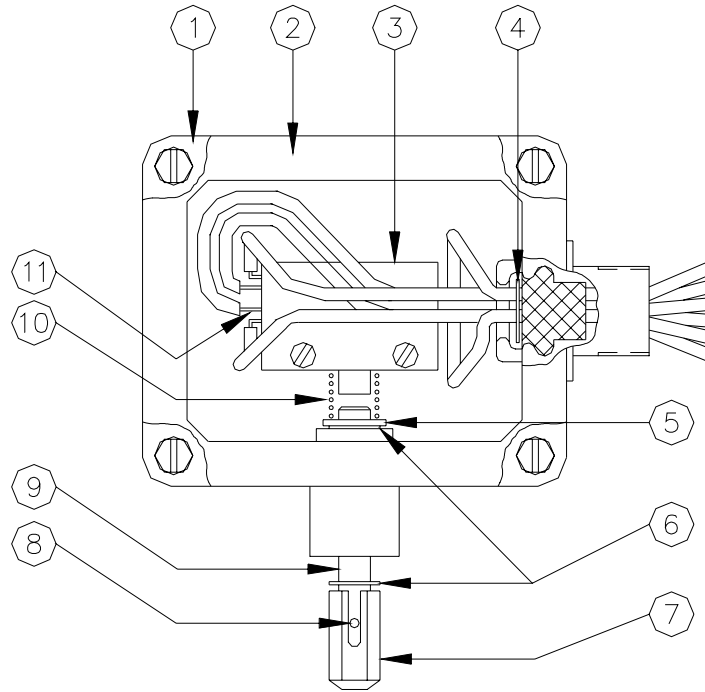


Item	Part No.	Description	Item	Part No.	Description
1	017261	Bushing, Operating Shaft	11	Z03555	Elbow
2	003185	Bearing, Start Shaft	12	043809	Pipe TBE, 1-1/2 x 15-1/4
3	055653	Shaft, Start Assembly	13	039133	Nut, Lock
4	015573	Bracket	14	066400	1/2" UNY Explosion-Proof Conduit Union
5	064461	Switch Hsg & Wire Assembly	15	015610	Bracket, Junction Box
6	021456	Conduit	16	025045	Elbow, Conduit, 1/2 x 90°, M/F
7	045488	Pipe TBE, 1-1/2 x 3-1/2	17	014113	Box, Junction, Red Dot, 19.3 ci
8	067028	VL Sol, 1-1/2", 2-stg, Top Cond	18	021345	Pipe TBE, 1/2 x 1-1/2
9	038005	Pipe TBE, 1-1/2 x 1-3/4	19	025030	Elbow, Conduit, 1/2 x 90° F/F
10	015609	Bracket	20	021294	Conduit

216S CHASSIS - SIDE VIEW

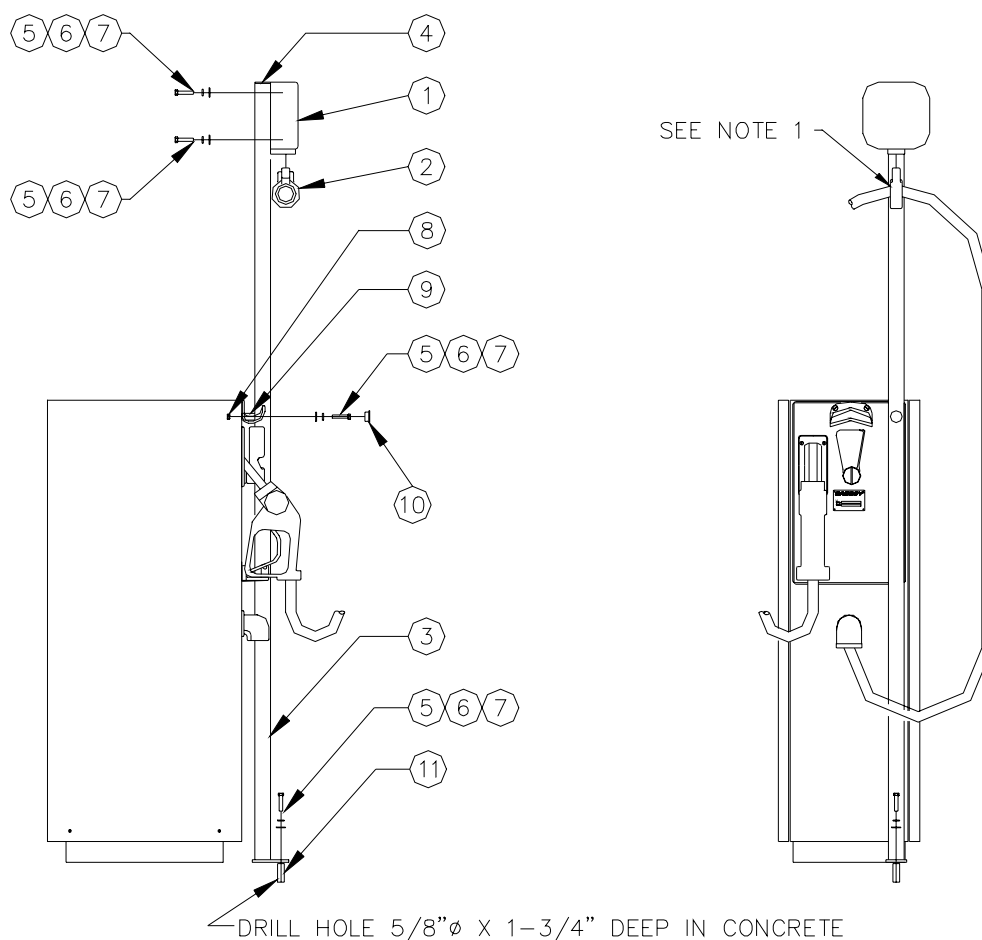
Item	Part No.	Description
1	014942	Bracket, Control Shaft
2	025030	Elbow, Conduit, 1/2 x 90° F/F
3	025045	Elbow, Conduit, 1/2 x 90°, M/F
4	021337	Pipe TBE, 1/2 x 2
5	026605	Frame, 216S
6	011636	Base
7	012658	Block Stop Assembly

SWITCH HOUSING AND WIRE ASSEMBLY



Item	Part No.	Description
1	003517	Cover, Switch
2	003773	Housing, Switch
3	064333	Switch, DPDT
4	063189	Stop, 4-wire
5	068606	Washer, SS, .328 x 19/32 x 1/1
6	049491	Retaining Ring, SS
7	038569	Nut, Adjusting Fin
8	042355	Pin, Cotter
9	054419	Shaft
10	057161	Spring
11	C01891	Term, Wire 1/4F QC Flag

HIGH HOSE RETRIEVER



NOTE 1: CLAMP SHOULD BE POSITIONED SO THAT HOSE DOES NOT TOUCH GROUND WHEN NOZZLE IS HUNG IN NOZZLE BOOT.

032666 Kit, HHR, 5/8" & 3/4" Hardwall/Softwall
 032667 Kit, HHR, 1" Softwall
 032668 Kit, HHR, 1" Hardwall (Std. 1-7/16 OD)

032669 Kit, HHR, 1" Hardwall (1-3/8 OD)
 032671 Kit, HHR, GY Prem Coax, Vapor Rec
 032670 Kit, HHR, 1-1/4" Softwall

Item	Part. No.	Description
1	030804	Reel Assy, 5/8" & 3/4" Hardwall/Softwall; GY Prem Coax, Vapor Recovery
	030805	Reel Assy, 1" Softwall, 1" Hardwall; 1-1/4" Softwall
2	020714	Clamp, 5/8" & 3/4" Hardwall/Softwall
	020712	Clamp, 1" Softwall
	020718	Clamp, 1" Hardwall (Std. 1-7/16 OD)
	020719	Clamp, 1" Hardwall (1-3/8 OD)
	026732	Clamp, GY Prem Coax, Vapor Recovery
	020717	Clamp, 1-1/4" Softwall

Item	Part. No.	Description
3	063818	Support Bar Assy., 9152, 9153
	063837	Support Bar Assy., 9150
4	017930	Caplug
5	051955	Bolt, 5/16-18 x 2
6	068080	Washer, 5/16 Pltd
7	068875	Lockwasher, 5/16 Pltd
8	038605	Nut, 5/16-18 Hex Keps
9	056924	Spacer
10	047219	Plug Button, 7/8
11	013250	Anchor

WARRANTY

General Statements:

Gasboy International LLC. warrants all new equipment manufactured by Gasboy against defective material and/or workmanship, for the warranty period specified below, when the equipment is installed in accordance with specifications prepared by Gasboy.

This warranty does not cover damage caused by accident, abuse, Acts of God, lack of surveillance of automatic recording systems, negligence, mis-application, faulty installation, improper or unauthorized maintenance, installation or use in violation of product manuals, instructions, or warnings. Under no circumstance shall Gasboy be liable for any indirect, special, or consequential damages, losses, or expenses to include, but not limited to, loss of product, loss of profits, litigation fees, or the use, or inability to use, our product for any for any purpose whatsoever.

Parts Only - During the warranty period, Gasboy will, at its option, repair or replace defective parts returned transportation prepaid to its factory.

On-Site Labor Included - Gasboy will also provide, within the Continental United States and during the warranty period, the services of an Authorized Service Representative (ASR) for on-site repair or replacement of defective parts.

Replacement Parts - Any system components that are not part of the original system order, including Island Card Readers, Pump Control Units, etc., are considered replacement parts.

Equipment	Term	Coverage
Commercial Pumps and Dispensers Full-Cabinet Consumer Pumps	One year from date of installation or 18 mos. from date of Gasboy International's invoice to the purchaser, whichever comes first.	Parts and Labor.
Small Transfer Pumps, Meters, Pressure Regulators	One year from date of installation or 18 mos. from date of Gasboy International's invoice to the purchaser, whichever comes first. - Excepting the Model 2020 Hand Pump, which has a 90-day warranty from date of GASBOY International's invoice.	Parts Only.
Keytrol	One year from date of installation or 18 mos. from date of Gasboy International's invoice to the purchaser, whichever comes first.	Parts and Labor.
Fuel Management Systems: - CFN/ Profit Point - Series 1000/Fleetkey - TopKAT - Fuel Point Readers (sold with new systems)	One year from date of start-up or 15 mos. from date of Gasboy International's invoice to the purchaser, whichever comes first. - The basic warranty only applies to systems which have been started up by a Gasboy Authorized Service Representative (ASR).	Parts and Labor.
Additional Fuel Point Items: - Fuel Point Readers sold for retrofitting existing systems. - Fuel Point vehicle and dispenser components.	One year from date of start-up or 15 mos. from date of Gasboy International's invoice to the purchaser, whichever comes first.	Parts Only.
Encoders, Embossers, Modems, CRTs, and Logger Printers	Purchased with Fuel Management System (Encoders, Embossers only): 90 days from the date of start-up by a Gasboy ASR, or 180 days from date of Gasboy International's invoice, whichever occurs first. Purchased with Fuel Management System (Modems, CRTs, and Logger Printers only): Matches system warranty. Purchased Separately: 90 days from date of Gasboy International's invoice to the purchaser.	Purchased with System (Encoders, Embossers only): Parts only. Purchased with System (Modems, CRTs, Logger Printers only): Matches system warranty. Purchased Separately: Parts Only.
Air Diaphragm Pumps	Three years from date of purchase (for full warranty description, see Price List).	Parts Only.
Items not manufactured by Gasboy (ex. automatic nozzles, hoses, swivels, etc.)	Not warranted by Gasboy International (consult original manufacturer's warranty).	Not Applicable.
Replacement Parts	One year from date of Gasboy International's invoice to the purchaser.	Parts Only.

To the extent permitted by law, this warranty is made in lieu of all other warranties, expressed or implied, including warranties of freedom from patent infringement, or merchantability, or fitness for a particular purpose, or arising from a course of dealing or usage of trade. No one is authorized to vary the terms of the warranty nor may anyone make any warranty of representation, or assume any liability other than that herein stated, in connection with the sale described herein. The acceptance of any order by Gasboy International is expressly made subject to the purchaser's agreement to these conditions.



GASBOY INTERNATIONAL LLC

P.O. Box 309, Lansdale, PA 19446 ● (800) 444-5579 ● FAX: (800) 444-5569 ● www.gasboy.com