

VAPOR RECOVERY KIT INSTALLATION INSTRUCTIONS FOR MODEL 9120

This instruction sheet covers the installation of the Model 9120, Vapor Recovery Kit (P/N 032628). Vapor recovery kit does not include high hose retriever, hose, nozzle, swivel, and breakaway). You should have received the following:

Item	Qty.	P/N	Description
1	1	042741	Discharge Assembly
2	1	041605	Panel, Right Side (VR)
3	1	028934	Grommet
4	1	003317	Boot, Nozzle (VR)
5	2	052857	Bolt 8-32 x 5/8
6	1	003719	Hook, Nozzle (VR)

Item	Qty.	P/N	Description
7	1	049013	O-Ring
8	2	051805	Bolt 1/4-20 x 5/8
9	2	068891	Washer-Lock ¼
N/A	1	032627	Instruction Sheet
N/A	1	035282	Warning Sheet

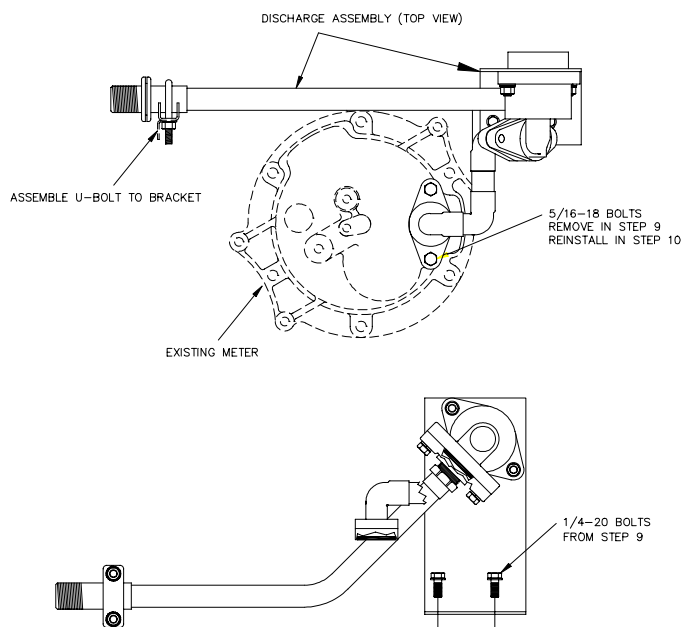
Important: Read all instructions before beginning installation. Also, read and follow all precautions regarding remote dispensers and pumps on the *Warnings and Safeguards* sheet, 035282, included in this kit. Before performing any work which may produce sparks (e.g. drilling, use of power tools, etc.), remove dispenser a safe distance from any flammable materials.

Installing Right Side Panel

1. Remove front door panel (key required).
2. Remove bezel assembly by unfastening two (2) Phillips head screws.
3. Remove rear door panel (key required).
4. Remove three (3) Phillips head screws and remove rear access panel.
5. Remove discharge pipe elbow.
6. Remove six (6) nuts from top cover assembly and remove top cover.
7. Remove three (3) screws from right side panel. Remove right side panel and discard.
8. Assemble new right side panel (item 2) with three (3) screws from Step 7.

Installing Discharge Assembly

9. Remove two (2) 5/16-18 bolts from discharge casting and two (2) 1/4-20 bolts from discharge clamp. Remove discharge assembly from unit. *NOTE: Replace O-ring with supplied (item 7) O-ring. Apply lithium based grease to O-ring.*
10. Install new vapor recovery discharge assembly by reinstalling two (2) 5/16-18 bolts and two (2) 1/4-20 bolts from Step 9. *NOTE: 1/4-20 bolts will secure vapor recovery bracket to platform assembly.*
11. Remove two (2) 8-32 screws from nozzle boot casting and remove. Install vapor recovery nozzle boot (item 4) with same screws.
12. Remove two (2) 1/4-20 bolts from nozzle hook assembly and remove nozzle hook. Install vapor recovery nozzle hook (item 6) with same 1/4-20 bolts.
13. Reinstall the dispenser top cover and panels by following Steps 6 through 1.



VAPOR RECOVERY W/HIGH HOSE RETRIEVER OVERVIEW

