

## TOTALIZER/PULSER/GEAR TRAIN ASSEMBLY RETROFIT KIT FOR 9850A, 9850AX, 9850AXTW, 2650A, 2650AX, 2650AXTW UNITS (See NOTE)

This instruction sheet shows how to install the totalizer/pulser/gear train assembly kit for Series 9850A/2650A pumps and dispensers. The available kits are listed below. Refer to the table to determine the contents for each kit. Be sure to follow all warnings and safeguards as outlined in the enclosed *Warnings and Safeguards* sheet before working on the unit.

**NOTE: If your pump/dispenser is a 9850A, 9850AX, 9850AXTW, with a serial number higher than 472238 or a 2650A, 2650AX, 2650AXTW with a serial number higher than 0009491-T, you do not need this kit. Instead, just order the Totalizer kit for your model as listed in the 9800A Parts List, 035297 or 2600A Parts List, T35297. The serial number appears on the UL nameplate on the side of the unit.**

### KIT SUMMARY

032094	Model 9850A, 2650A, Liter
032095	Model 9850A, 2650A, Gallon
032096	Model 9850AXTW, 2650AXTW, Liter
032097	Model 9850AXTW, 2650AXTW, Gallon
032098	Model 9850AX, 2650AX, Liter
032099	Model 9850AX, 2650AX, Gallon

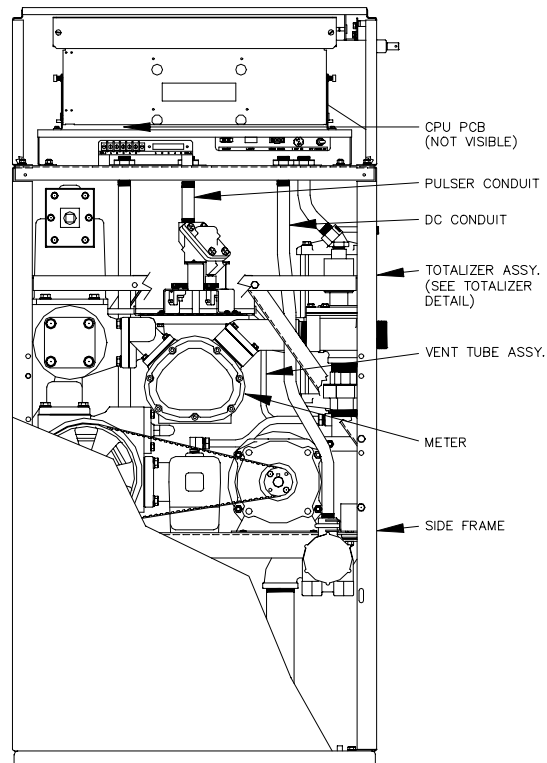
### KIT CONTENTS

		032094	032095	032096	032097	032098	032099
Pulser/Gear Train Assy., Liter	047541	1	–	2	–	1	–
Pulser/Gear Train Assy., Gallon	047542	–	1	–	2	–	1
Screw, 1/4–20 x 1–1/4	051866	4	4	8	8	4	4
Nut, 1/4–20 Hex	038860	4	4	8	8	4	4
Washer, 1/4	068860	4	4	8	8	4	4
Screw, 5/16–18 x 5/8	052401	4	4	8	8	4	4
Nut, 5/16–18 Hex	038605	4	4	8	8	4	4
Platform/Shaft Assy.	037002	1	1	2	2	1	1
Odometer Assy., Liter	039836	1	–	2	–	1	–
Odometer Assy., Gallon	039826	–	1	–	2	–	1
Pin, Spirol	043220	1	1	2	2	1	1
Cable Assy., 20", Single	017367	1	1	–	–	1	1
Pin, Cotter	042290	1	1	2	2	1	1
Tie-wrap, 5/8 dia.	0M0042	1	1	2	2	1	1
Tie-wrap, 8" Blk	C08126	1	1	2	2	1	1
Nut, 8–32 Hex	039070	2	2	4	4	2	2
Tube Assy., 9850A	065772	1	1	–	–	–	–
Program IC	C06426	1	1	1	1	1	1
Cable Assy., 35–1/4", Twin	017365	–	–	2	2	–	–

1. Remove front and rear doors to gain access to the interior of the pump.
2. Remove front and rear bezel by removing two screws (two on each side). The drawing at right shows an overview of the existing pump (doors and bezels already removed).

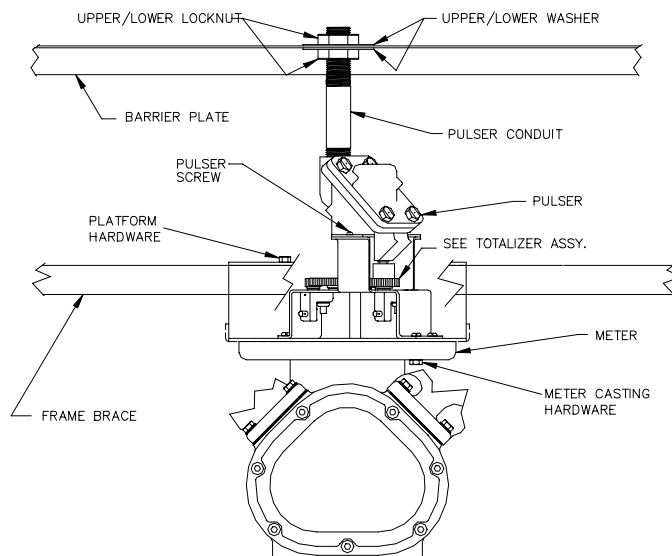
Use the pictures below to disassemble the existing parts.

3. Loosen lower locknut and remove upper locknut and washer from pulser conduit.
4. On the CPU PCB (located in the electronic head), remove the pulser connector(s) from P3 (and P5 for twins). See the illustration following Step 16 for the connector locations. Remove 2 pulser screws, and remove pulser and conduit assembly.
5. Remove meter casting hardware and platform hardware and remove platform assembly from unit.
6. Remove existing vent tube assembly and replace with new vent tube assembly 065772 (Model 9850A/2650A only).
7. Install new platform and gear train assembly onto the existing platform holes using 052401 screws and 038605 nuts.



**Pump Overview**

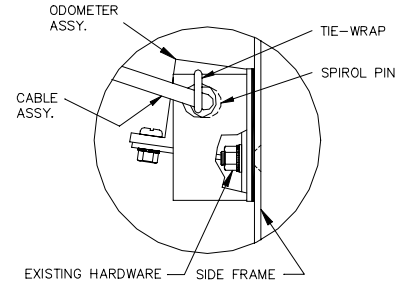
8. Fasten existing meter to new platform assembly using screws 051866, nuts 038860 and washers 068860.
9. Install pulser/conduit assembly as follows. Remove upper washer and locknut from pulser conduit. Feed connector and wires through the barrier plate opening. Align pulser shaft pin with slot in plastic gear and fasten pulser/conduit assembly to gear train assembly with two pulser screws. Assemble upper washer and locknut to conduit on top of barrier plate. Attach connector(s) to P3 (and P5 for twins) of CPU PCB.



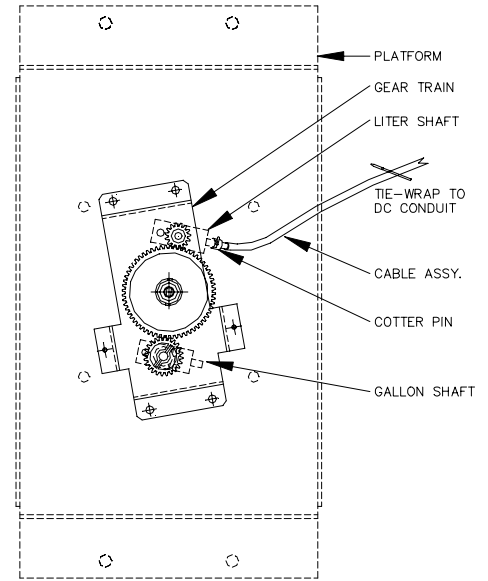
**Pulser Detail**

## Install Totalizer

10. Remove existing hardware from totalizer window on side of unit. Set aside for later use or replace.
11. Install new totalizer assembly with existing hardware or supplied hardware. (See **Totalizer Detail**).
12. Install cable assembly (017366, single or 017365, twin) with spirol pin to odometer assembly.
13. Install other end of cable assembly (with larger mounting hole) to appropriate gallon or liter shaft on gear train using cotter pin 042290. (See **Platform and Gear Train**).
14. Attach 0M0042 tie-wrap around plastic cable cover and through odometer bracket.
15. Attach cable to DC conduit using C08126 tie-wrap. Allow some slack in both ends of the cable to prevent premature breakage during operation.

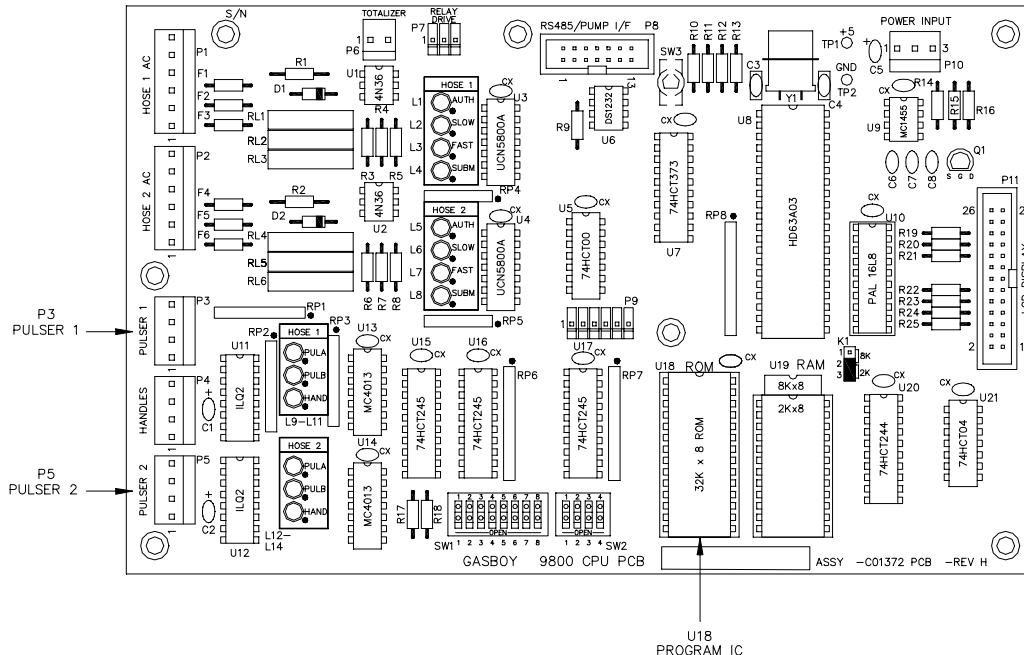


**Totalizer Detail**



**Platform and Gear Train**

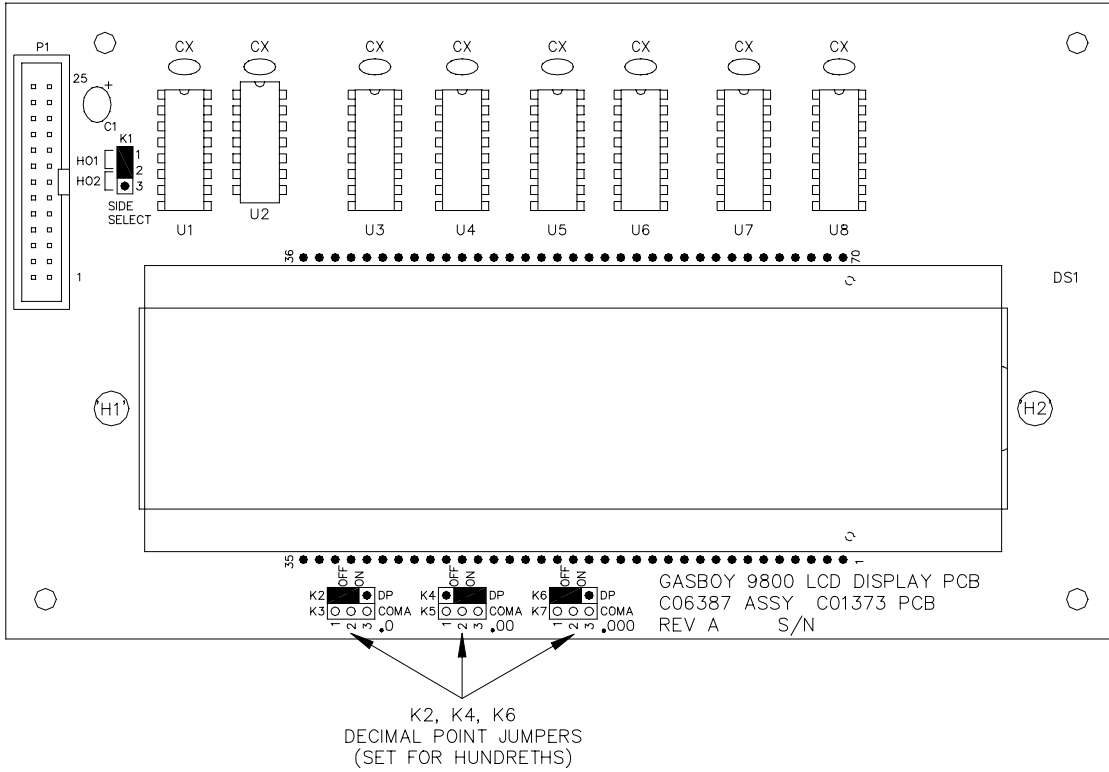
16. Install new program IC C06426 into socket U18 of CPU PCB.



**CPU PCB Pulser Connector and IC Locations**

17. On the LCD Display PCB, set the K2, K4, and K6 decimal point jumpers to hundredths as shown below. The displays will show xxxx.xx for gallons, or xxxx.x\_ (hundredths position blanked) for liters.

- K2 Jumper positions 1 and 2
- K4 Jumper positions 2 and 3
- K6 Jumper positions 1 and 2



**LCD Display Jumper Location and Setup**

18. Reinstall bezels and replace doors.